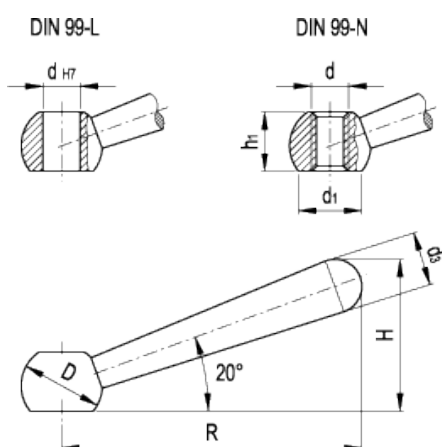


DIN 99

Clamping levers



american unit
metric unit

Elesa-Gantergriff		Main dimensions					Mounting hole			Weight
Code	Description	R	D _{-0.2}	H	d _{1~}	d ₃	d _{H7}	d	h ₁	lbs g
GN.10705	DIN 99-50-B6-L	1.89 48	0.47 12	0.94 24	0.3 7.5	0.31 8	0.236 6	- -	0.37 9.5	0.037 17
GN.10701	DIN 99-50-M6-N	1.89 48	0.47 12	0.94 24	0.3 7.5	0.31 8	- -	- M6	0.37 9.5	0.037 17
GN.10715	DIN 99-63-B8-L	2.36 60	0.63 16	1.18 30	0.43 11	0.39 10	0.315 8	- -	0.47 12	0.079 36
GN.10711	DIN 99-63-M8-N	2.36 60	0.63 16	1.18 30	0.43 11	0.39 10	- -	- M8	0.47 12	0.084 38
GN.10725	DIN 99-80-B10-L	2.99 76	0.79 20	1.5 38	0.59 15	0.51 13	0.394 10	- -	0.57 14.5	0.163 74
GN.10721	DIN 99-80-M10-N	2.99 76	0.79 20	1.5 38	0.59 15	0.51 13	- -	- M10	0.57 14.5	0.167 76
GN.10735	DIN 99-100-B12-L	3.74 95	0.98 25	1.85 47	0.75 19	0.63 16	0.472 12	- -	0.73 18.5	0.306 139
GN.10731	DIN 99-100-M12-N	3.74 95	0.98 25	1.85 47	0.75 19	0.63 16	- -	- M12	0.73 18.5	0.317 144
GN.10745	DIN 99-125-B16-L	4.69 119	1.26 32	2.34 59.5	0.93 23.5	0.79 20	0.63 16	- -	0.94 24	0.623 283

Elesa-Gantergriff		Main dimensions					Mounting hole			Weight
Code	Description	R	D _{-0.2}	H	d _{1~}	d ₃	d _{H7}	d	h ₁	lbs g
GN.10741	DIN 99-125-M16-N	4.69 119	1.26 32	2.34 59.5	0.93 23.5	0.79 20	- -	- M16	0.94 24	0.639 290
GN.10755	DIN 99-160-B20-L	5.98 152	1.57 40	2.99 76	1.16 29.5	0.98 25	0.787 20	- -	1.18 30	1.2 545
GN.10751	DIN 99-160-M20-N	5.98 152	1.57 40	2.99 76	1.16 29.5	0.98 25	- -	- M20	1.18 30	1.236 561

Material

Turned and black-oxide steel.

Assembly

- Execution L: plain through hole.
- Execution N: tapped through hole.



STANDARD MACHINE ELEMENTS WORLDWIDE

ELESA-GANTER models all rights reserved in accordance with the law. Always mention the source when reproducing our drawings.