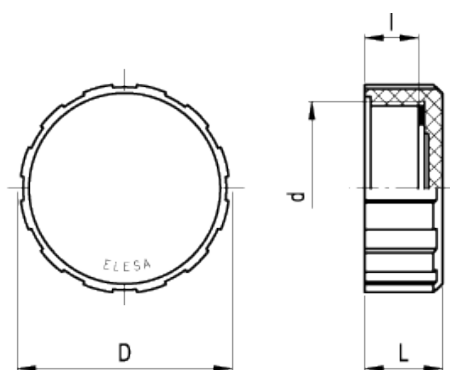


T.470

Plugs

ELESA Original design



american unit
metric unit

Elesa Standards		Main dimensions				Weight
Code	Description	d	l	D	L	lbs g
58231	T.470-60x2	- M60x2	0.71 18	2.76 70	1.02 26	0.121 55
58251	T.470-1	- G 1	0.43 11	1.65 42	0.63 16	0.037 17
58281	T.470-2	- G 2	0.71 18	2.76 70	1.02 26	0.128 58

Material

Polyamide based (PA) technopolymer. Resistant to solvents, oils, greases and other chemical agents.

Colour

Black, matte finish.

Flat packing ring

NBR synthetic rubber.

Maximum continuous working temperature

230°F (110°C).

Special executions on request (For sufficient quantities)

Coloured words, marks and graphic symbols can be tampprinted on the cap.

