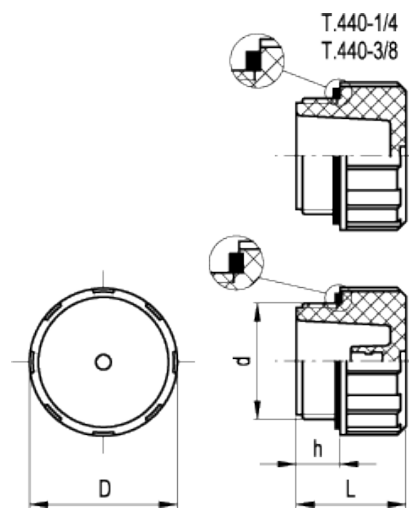


T.440

Plugs



ELESA Original design



american unit
metric unit

Elesa Standards		Main dimensions				Weight
Code	Description	d	h	D	L	lbs g
157111	T.440-1/4	- G 1/4	0.35 9	0.81 20.5	0.75 19	0.022 10
157121	T.440-3/8	- G 3/8	0.35 9	0.98 25	0.83 21	0.026 12
157131	T.440-1/2	- G 1/2	0.43 11	1.12 28.5	0.98 25	0.031 14
157141	T.440-3/4	- G 3/4	0.47 12	1.36 34.5	1.06 27	0.048 22
157151	T.440-1	- G 1	0.51 13	1.67 42.5	1.12 28.5	0.062 28
157161	T.440-1¼	- G 1¼	0.51 13	2.05 52	1.26 32	0.115 52
157171	T.440-1½	- G 1½	0.51 13	2.26 57.5	1.34 34	0.139 63

Material
Polyamide based (PA) technopolymer. Resistant to solvents, oils, greases and other chemical agents.

Colour
Black, matte finish.

Flat packing ring
NBR synthetic rubber.

Maximum continuous working temperature
250°F (120°C).

Special executions on request (For sufficient quantities)
Coloured words, marks and graphic symbols can be tampoprinted on the cap.



STANDAARD MACHINE ELEMENTS WORLDWIDE

ELESA models all rights reserved in accordance with the law. Always mention the source when reproducing our drawings.