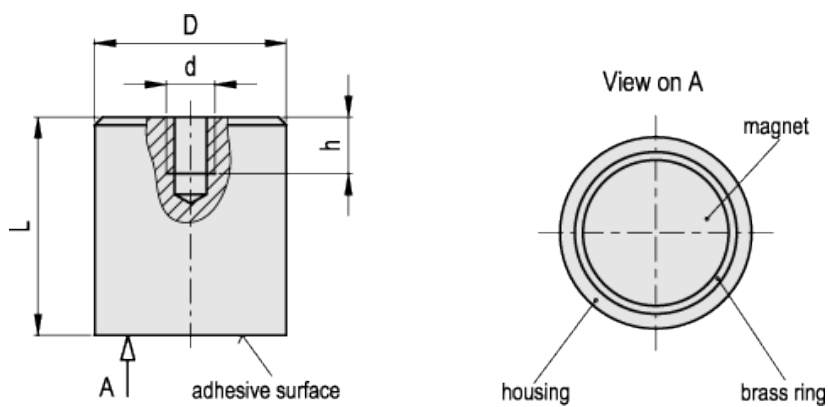


RMN

Cylindric retaining magnets with threaded hole



Elesa Standards		Main dimensions				Nominal adhesive forces *		Weight
Code	Description	$D_{+0.2/-0.2}$	$L_{+0.2/-0.2}$	d	h	[N]	g	
502301	RMN-AN-6	6	20	M3	5	2	4	
502303	RMN-AN-8	8	20	M3	5	4	8	
502305	RMN-AN-10	10	20	M4	7	8.5	11	
502307	RMN-AN-13	13	20	M4	7	12	19	
502309	RMN-AN-16	16	20	M4	7	20	30	
502311	RMN-AN-20	20	25	M6	7	40	55	
502313	RMN-AN-25	25	35	M6	9	60	121	
502315	RMN-AN-32	32	40	M8	9	160	212	
502317	RMN-AN-40	40	50	M8	9	240	437	
502319	RMN-AN-50	50	60	M10	12	400	793	
502321	RMN-AN-63	63	65	M12	14	660	1273	
502401	RMN-ND-6	6	20	M3	5	6	4	
502403	RMN-ND-8	8	20	M3	5	12	8	
502405	RMN-ND-10	10	20	M4	7	24	11	
502407	RMN-ND-13	13	20	M4	7	60	20	
502409	RMN-ND-16	16	20	M4	7	90	30	

Elesa Standards		Main dimensions				Nominal adhesive forces *	
Code	Description	$D_{+0.2/-0.2}$	$L_{+0.2/-0.2}$	d	h	[N]	g
502411	RMN-ND-20	20	25	M6	7	135	58
502413	RMN-ND-25	25	35	M6	9	190	131
502415	RMN-ND-32	32	40	M8	9	340	243
502417	RMN-ND-40	40	50	M8	9	600	480
502419	RMN-ND-50	50	60	M10	12	900	904
502421	RMN-ND-63	63	65	M12	14	1300	1555

* The values of the nominal adhesive forces are approximate and refer to magnetic properties of laboratory samples.

Material

Zinc-plated steel housing.

Standard executions

- RMN-AN: (AlNiCo) Aluminium-nickel-cobalt magnet, resistant to temperatures up to 450°C.
- RMN-ND (with blue inked adhesive surface): (NdFeB) Neodymium- iron-boron magnet, resistant to temperatures up to 80°C.

[Technical data.](#)

Features and applications

RMN cylindric retaining magnets are shielded magnetic systems with high performances and moderate overall dimensions.



STANDARD MACHINE ELEMENTS WORLDWIDE