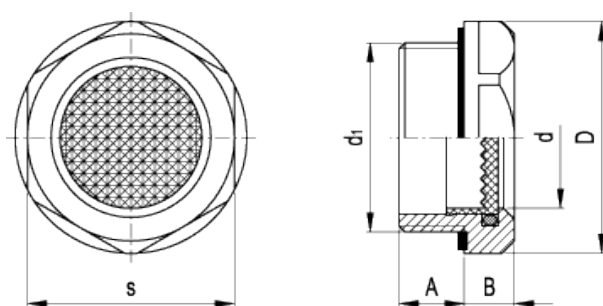


# GN 744

## Prismatic oil level indicators



american unit  
metric unit

Elesa-Gantergriff		Main dimensions						Weight	
Code	Description	d <sub>1</sub>	A	B	D	d	s	lbs	g
GN.37781	GN 744-14-M20x1.5	- M20x1.5	0.33 8.5	0.3 7.5	1.02 26	0.55 14	0.91 23	0.011 5	
GN.37783	GN 744-18-M26x1.5	- M26x1.5	0.35 9	0.31 8	1.26 32	0.71 18	1.18 30	0.033 15	
GN.37785	GN 744-18-M27x1.5	- M27x1.5	0.35 9	0.31 8	1.26 32	0.71 18	1.18 30	0.035 16	
GN.37787	GN 744-24-M33x1.5	- M33x1.5	0.43 11	0.33 8.5	1.57 40	0.94 24	1.42 36	0.048 22	

american unit  
metric unit

Elesa-Gantergriff		Main dimensions						Weight	
Code	Description	d <sub>1</sub>	A	B	D	d	s	lbs	g
GN.37791	GN 744-14-G1/2"	- G 1/2	0.33 8.5	0.3 7.5	1.02 26	0.55 14	0.91 23	0.018 8	
GN.37793	GN 744-18-G3/4"	- G 3/4	0.35 9	0.31 8	1.26 32	0.71 18	1.18 30	0.033 15	
GN.37795	GN 744-24-G1"	- G 1	0.43 11	0.33 8.5	1.57 40	0.94 24	1.42 36	0.051 23	

Material  
Aluminium, glossy finish.

Prismatic window  
Transparent polyamide based (PA-T/AR) technopolymer. Resistant to alcohol, solvents, oils with additives, greases, acids and alkali. The window consists of a continuous series of prisms, which provide a clear and immediate reading of the level of the oil contained in the reservoir.

Flat packing ring  
NBR synthetic rubber.

Maximum continuous working temperature  
210°F (100°C).

*Accessories on request*

Brass nut type [GH](#) for fitting to reservoirs with wall thickness smaller than 5 mm.

*Features and applications*

GN 744 oil level indicators can be used on pressurised oil tanks (oil-proof resistance data available on request).

The seal between the aluminium body and the technopolymer prismatic window is guaranteed by a packing ring in NBR synthetic rubber.

