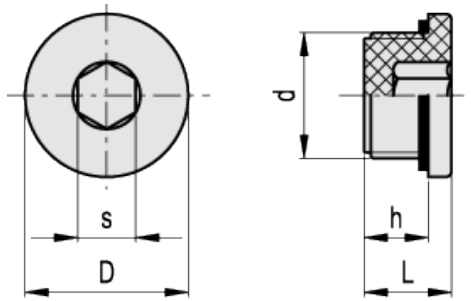


TCE.

Plugs with hexagon socket



ELESA Original design



american unit
metric unit

Elesa Standards		Main dimensions					Tightening torque	Weight
Code	Description	d	h	s	L	D	[ft·lb] [Nm]	lbs g
161033	TCE.1/4	- G 1/4	0.35 9	0.24 6	0.47 12	0.79 20	2 3	0.009 4
161034	TCE.3/8	- G 3/8	0.35 9	0.31 8	0.51 13	0.87 22	2÷4 3÷5	0.011 5
161035	TCE.1/2	- G 1/2	0.43 11	0.39 10	0.59 15	1.1 28	2÷3 3÷4	0.018 8
161036	TCE.3/4	- G 3/4	0.47 12	0.47 12	0.65 16.5	1.26 32	2÷4 3÷5	0.031 14

american unit
metric unit

Elesa Standards		Main dimensions					Tightening torque	Weight
Code	Description	d	h	s	L	D	[ft·lb] [Nm]	lbs g
961034	TCE.3/8 NPT	3/8 NPT -	0.35 9	0.31 8	0.51 13	0.87 22	2÷4 3÷5	0.011 5
961035	TCE.1/2 NPT	1/2 NPT -	0.43 11	0.39 10	0.59 15	1.1 28	2÷3 3÷4	0.018 8
961036	TCE.3/4 NPT	3/4 NPT -	0.47 12	0.47 12	0.65 16.5	1.26 32	2÷4 3÷5	0.031 14

Material
Glass-fibre reinforced polyamide based (PA) technopolymer. Resistant to solvents, oils, greases and other chemical agents.

Colour
Black, matte finish.

Flat packing ring
NBR synthetic rubber.

Maximum continuous working temperature
270°F (130°C).

Technical data

The tightening torque indicated in the table guarantees an optimal tightness, keeping the packing ring in the correct position.



STANDAARD MACHINE ELEMENTS WORLDWIDE

ELESA models all rights reserved in accordance with the law. Always mention the source when reproducing our drawings.