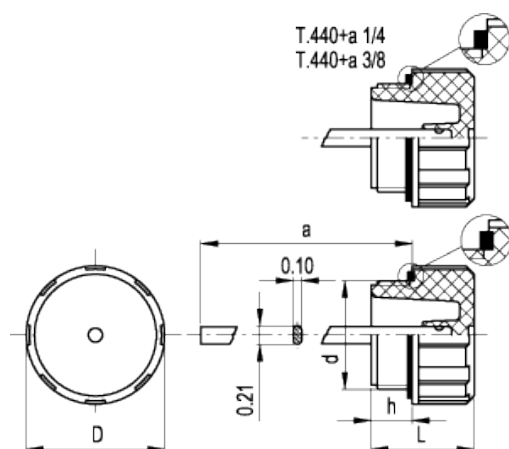


T.440+a

Plugs with dipstick

elesa

ELESA Original design



american unit
metric unit

Elesa Standards		Main dimensions					Weight
Code	Description	d	h	D	L	a	lbs g
157211	T.440-1/4+a	- G 1/4	0.35 9	0.81 20.5	0.75 19	7.56 192	0.066 30
157221	T.440-3/8+a	- G 3/8	0.35 9	0.98 25	0.83 21	7.56 192	0.07 32
157231	T.440-1/2+a	- G 1/2	0.43 11	1.12 28.5	0.98 25	7.44 189	0.093 42
157241	T.440-3/4+a	- G 3/4	0.47 12	1.36 34.5	1.06 27	7.4 188	0.11 50
157251	T.440-1+a	- G 1	0.51 13	1.67 42.5	1.12 28.5	7.4 188	0.123 56
157261	T.440-1¼+a	- G 1¼	0.51 13	2.05 52	1.26 32	7.28 185	0.159 72
157271	T.440-1½+a	- G 1½	0.51 13	2.26 57.5	1.34 34	7.28 185	0.183 83

Material
Polyamide based (PA) technopolymer. Resistant to solvents, oils, greases and other chemical agents.

Colour
Black, matte finish.

Flat packing ring
NBR synthetic rubber.

Flat dipstick

Phosphatised steel. On request and for sufficient quantities dipstick can be supplied in different lengths and/or complete with MAX-MIN level lines.

Maximum continuous working temperature

250°F (120°C).

Special executions on request (For sufficient quantities)

Coloured words, marks and graphic symbols can be tampoprinted on the cap.



STANDARD MACHINE ELEMENTS WORLDWIDE

ELESA models all rights reserved in accordance with the law. Always mention the source when reproducing our drawings.