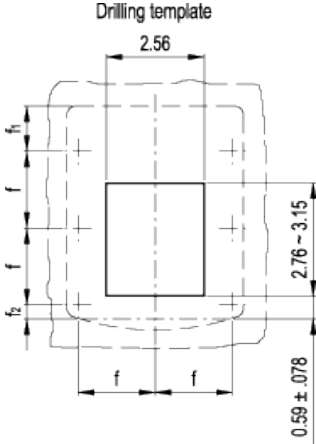
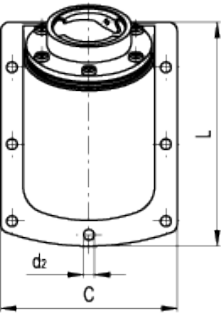
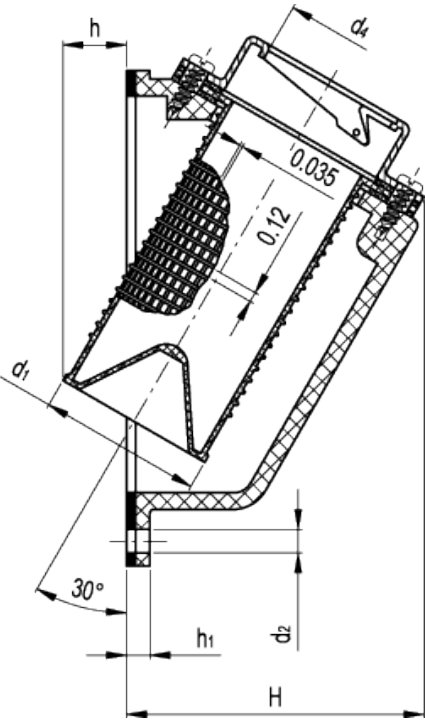


PLRB+C

Side mount bayonet style flange



ELESA Original design



american unit
metric unit

Elesa Standards		Main dimensions											Weight
Code	Description	d ₄	L	C	H	d ₁	d ₂	h	h ₁	f	f ₁	f ₂	lbs g
49401	PLRB+C	1.54 39	5.85 148.5	4.61 117	3.54 90	1.93 49	0.28 7	0.71 18	0.28 7	2.01 51	1.18 30	0.35 9	0.782 355

Mount

Polyamide based (PA) technopolymer with NBR synthetic rubber gasket. Resistant to solvents, oils, greases and other chemical agents.

Flange

Zinc-plated steel with flat gasket in cork impregnated MGS based rubber.

Basket

Polypropylene based (PP) technopolymer. Resistant to solvents, oils, greases and other chemical agents.

Colour

Black, matte finish.

Assembly

- Flange and basket are fitted to the mount by means of six zinc-plated steel self-tapping screws TC-N10 (DIA 4.8x19 mm) DIN 7971, included in the supply.

- The mount is fitted to the reservoir by means of seven 1/4-20 screws and relative washers (not included).

Maximum torque recommended: 6 ft•lb (8 Nm).

Special executions on request (For sufficient quantities)

Side mount bayonet style flange without basket (execution PLRB).

Note

The breather cap to be coupled to the flange is not included.

Breather caps type [SFN.](#) , [SEP.](#) , [SFW.](#) can be used depending on customer's requirements.



STANDARD MACHINE ELEMENTS WORLDWIDE

ELESA models all rights reserved in accordance with the law. Always mention the source when reproducing our drawings.