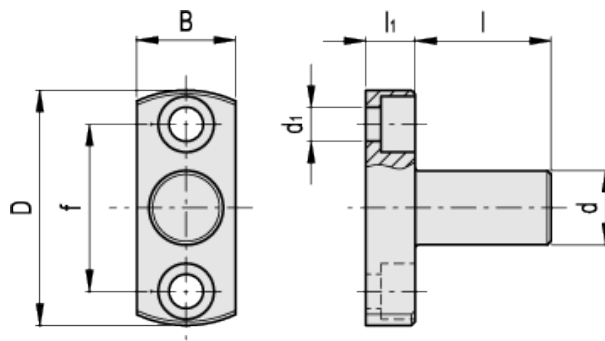


MSM-P

Flanged bolts



Elesa Standards		Main dimensions							Weight
Code	Description	d	l	D	B	l ₁	d ₁	f	g
500401	MSM-P-8-18	8	18	31.5	14	6	M4	22	23
500403	MSM-P-8-32	8	32	31.5	14	6	M4	22	40
500405	MSM-P-10-21	10	21	38	16	8	M5	27	43
500407	MSM-P-10-37	10	37	38	16	8	M5	27	52
500409	MSM-P-12-22	12	22	38	16	8	M5	27	49
500411	MSM-P-12-39	12	39	38	16	8	M5	27	64
500413	MSM-P-15-27.5	15	27.5	45	20	10	M6	32	94
500415	MSM-P-15-47.5	15	47.5	45	20	10	M6	32	122
500417	MSM-P-16-28	16	28	45	20	10	M6	32	100
500419	MSM-P-16-49	16	49	45	20	10	M6	32	133
500421	MSM-P-20-35	20	35	50	25	10	M6	36	166
500423	MSM-P-20-60	20	60	50	25	10	M6	36	228

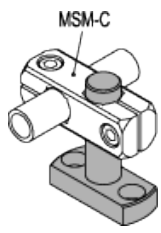
Material
Zinc-plated steel.

Features and applications

MSM-P flanged bolts are used for matching with connecting clamps, with the function of levelling element or holding flange.

Dimension table key

d1= holes for clamping screws with threading as indicated in the table.



STANDARD MACHINE ELEMENTS WORLDWIDE