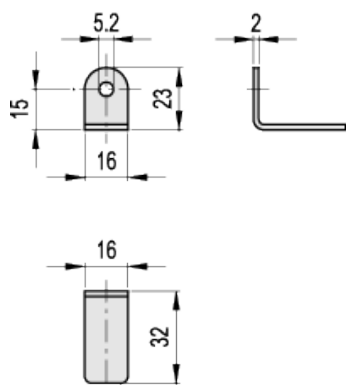


MSM-LB

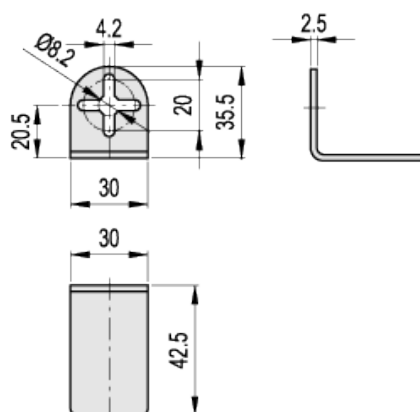
Connecting plates



MSM-LB-16



MSM-LB-30



Elesa Standards		Weight
Code	Description	g
500381	MSM-LB-16	9
500383	MSM-LB-30	26

Material
Sandblasted AISI 304 stainless steel, matte finish.

Features and applications

In MSM-LB-30 connecting plates, the cross-shaped hole provides a more precise regulation for fixing to [MSM-F](#) connecting clamps and it also allows the use of two clamping screws.

MSM-LB connecting plates are designed as universal elements which allow to customize the hole fixing for assembling with specific profile devices.

