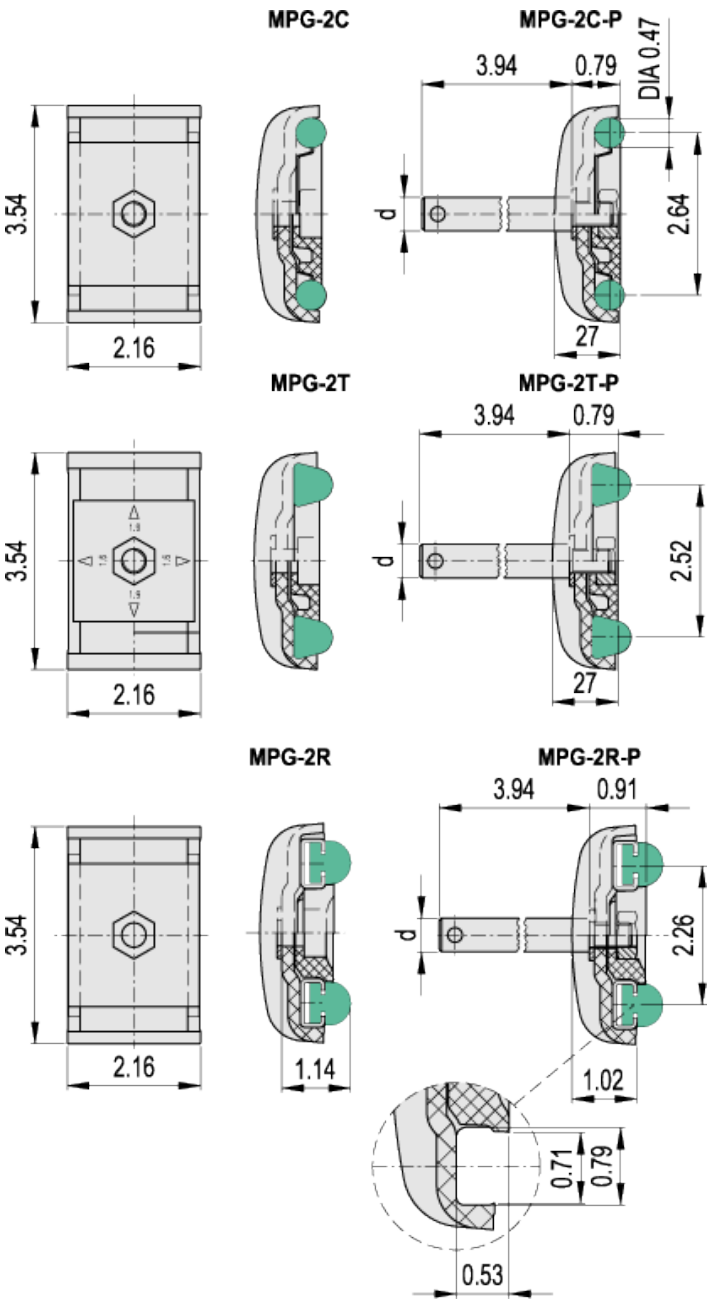


# MPG-2

## Guide rail clamps





Elesa Standards		Pin dimension	Weight
Code	Description	d	lbs g
419609	MPG-2C	- -	0.15 68
419681	MPG-2C-P12	0.47 12	0.452 205
419682	MPG-2C-P14	0.55 14	0.449 204
419683	MPG-2C-P16	0.63 16	0.447 203

american unit  
metric unit

Elesa Standards		Pin dimension	Weight
Code	Description	d	lbs g
419611	MPG-2T	- -	0.148 67
419684	MPG-2T-P12	0.47 12	0.449 204
419685	MPG-2T-P14	0.55 14	0.447 203
419686	MPG-2T-P16	0.63 16	0.445 202

Elesa Standards		Pin dimension	Weight
Code	Description	d	lbs g
419610	MPG-2R	- -	0.159 72
419694	MPG-2R-P12	0.47 12	0.467 212
419695	MPG-2R-P14	0.55 14	0.463 210
419696	MPG-2R-P16	0.63 16	0.458 208

#### Material

Glass-fibre reinforced polyamide based (PA) technopolymer. Resistant to solvents, oils, greases and other chemical agents.

#### Colour

Black, matte finish.

#### Standard executions

AISI 304 stainless steel washers.

- MPG-2C: housings for round guides, without pin.
- MPG-2C-P: housings for round guides, with AISI 304 stainless steel pin and clamping nut.
- MPG-2T: housings for standard trapezoidal guides, without pin.
- MPG-2T-P: housings for standard trapezoidal guides, with AISI 304 stainless steel pin and clamping nut.
- MPG-2R: housings for rectangular guides, without pin.
- MPG-2R-P: housings for rectangular guides, with AISI 304 stainless steel pin and clamping nut.

#### Assembly instructions

- Insert the guides into their housings in the rear body of the clamp.
- Couple the front body of the clamp to the rear one. Only for the trapezoidal guide the front body must be coupled according to the trapezoidal guide dimensions (Fig.1).
- Insert the nut into the housing of the front body of the clamp.
- Screw the nut to clamp.

Fig.1

