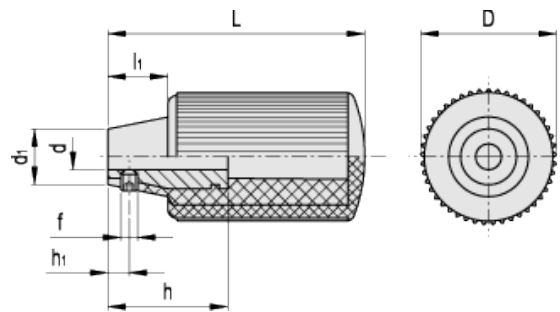
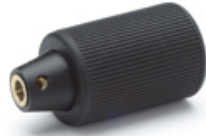


# I.168 SOFT

Knurled handle



| Elesa Standards |                   | Main dimensions |    |                |                |                |    | Mounting hole   |    | Weight |
|-----------------|-------------------|-----------------|----|----------------|----------------|----------------|----|-----------------|----|--------|
| Code            | Description       | L               | D  | d <sub>1</sub> | l <sub>1</sub> | h <sub>1</sub> | f  | d <sub>H7</sub> | h  | g      |
| 120402          | I.168/60 B-6-SOFT | 60              | 30 | 13             | 14             | 5              | M4 | 6               | 28 | 59     |

## Material

Glass-fibre reinforced polyamide based (PA) technopolymer coated with "soft-touch" thermoplastic elastomer (TPE), hardness 90 Shore A. The coating material is certified in compliance with FDA (U.S. Food and Drug Administration). Resistant to solvents, oils, greases and other chemical agents.

## Colour

Black, matte finish.

## Standard execution

Brass boss, plain blind hole.

Fitting to the shaft by means of a black-oxide steel socket set screw according to ISO 4029 (grub screws with hexagon socket and cup end).

## Features and applications

Handles coated with "soft-touch" elastomer: it improves the grip even in the presence of oils, greases and sweat from the hand. Particularly suitable for applications on fitness machines, tools and machines for gardening and goods transport, high-precision instruments and disability aids.



STANDARD MACHINE ELEMENTS WORLDWIDE

ELESA models all rights reserved in accordance with the law. Always mention the source when reproducing our drawings.