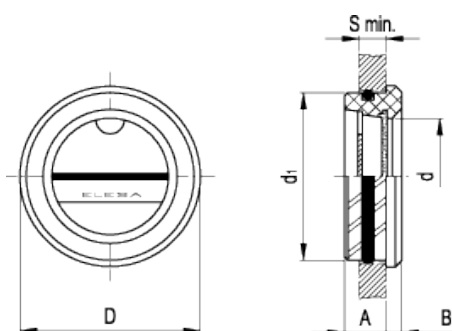


HRT.

Oil level indicators push-fit



ELESA Original design



american unit
metric unit

Elesa Standards		Main dimensions						Weight	
Code	Description	d_1	A	B	D	d	S_{min}	lbs	g
10751	HRT.15-26	$\varnothing 1.02+0.0079$ 26	0.35 9	0.18 4.5	1.1 28	0.57 14.5	0.24 6	0.013 6	
10756	HRT.20-32	$\varnothing 1.26+0.0079$ 32	0.41 10.5	0.18 4.5	1.42 36	0.71 18	0.31 8	0.022 10	
10761	HRT.25-38	$\varnothing 1.49+0.0079$ 38	0.43 11	0.2 5	1.65 42	0.91 23	0.31 8	0.026 12	
10766	HRT.40-60	$\varnothing 2.36-0.0079$ 60	0.43 11	0.22 5.5	2.52 64	1.57 40	0.35 9	0.064 29	

Material

Polyamide based (PA) technopolymer. Resistant to solvents, oils, greases and other chemical agents.

Colour

Black, matte finish.

Window

Transparent polyamide based (PA-T/AR) technopolymer. Resistant to alcohol, solvents, oils with additives, greases, acids and alkali.

Contrast screen

White lacquered aluminium with red level line.

Packing ring

NBR synthetic rubber O-Ring.

Maximum continuous working temperature

210°F (100°C).

Features and applications

The push-fit assembly is guaranteed by optimized ribbings. Sealing is guaranteed by the O-ring. HRT. oil level indicators push-fit are particularly suitable for assembly on reservoirs with limited pressure.

Assembly instructions

Chamfer hole 1x45° and grease slightly the outside surface of the O-ring to make assembly easier.

Note

For use with fluids containing special additives, please contact ELESA Sales Department.



STANDAARD MACHINE ELEMENTS WORLDWIDE
