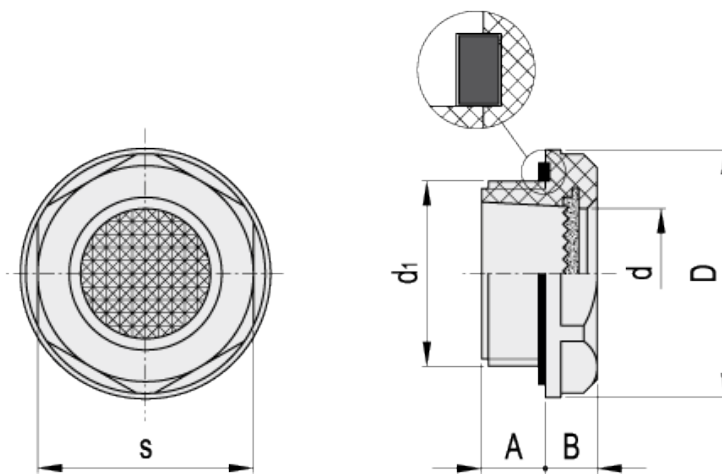


HGFT-PR

Prismatic oil level indicators



ELESA Original design



american unit
metric unit

Elesa Standards		Main dimensions						Tightening torque	Weight
Code	Description	d_1	A	B	D	d	s	[ft·lb] [Nm]	lbs g
14462	HGFT.13/PR-1/2	- G 1/2	0.39 10	0.33 8.5	1.1 28	0.57 14.5	0.94 24	4÷6 6÷8	0.011 5
14482	HGFT.16/PR-3/4	- G 3/4	0.37 9.5	0.33 8.5	1.38 35	0.71 18	1.26 32	6÷7 8÷10	0.02 9
14522	HGFT.21/PR-1	- G 1	0.43 11	0.37 9.5	1.67 42.5	0.91 23	1.5 38	7÷9 10÷12	0.031 14

american unit
metric unit

Elesa Standards		Main dimensions						Tightening torque	Weight
Code	Description	d_1	A	B	D	d	s	[ft·lb] [Nm]	lbs g
914462	HGFT.13/PR-1/2 NPT	1/2 NPT -	0.39 10	0.33 8.5	1.1 28	0.57 14.5	0.94 24	4÷6 6÷8	0.011 5
914482	HGFT.16/PR-3/4 NPT	3/4 NPT -	0.37 9.5	0.33 8.5	1.38 35	0.71 18	1.26 32	6÷7 8÷10	0.02 9
914522	HGFT.21/PR-1 NPT	1 NPT -	0.43 11	0.37 9.5	1.67 42.5	0.91 23	1.5 38	7÷9 10÷12	0.031 14

Material

Polyamide based (PA) technopolymer. Resistant to solvents, oils, greases and other chemical agents.

Colour

Black, glossy finish.

Prismatic window

Transparent polyamide based (PA-T/AR) technopolymer. Resistant to alcohol, solvents, oils with additives, greases, acids and alkali. The window consists of a continuous series of prisms which provide a clear and immediate reading of the level of the oil contained in the reservoir.



Flat packing ring

NBR synthetic rubber.

Maximum continuous working temperature

212°F (100°C) at 3 bar pressure.

Accessories on request

Brass nut type [GH](#), for fitting to reservoirs with wall thickness smaller than 0.20 (5 mm).

Note

For use with fluids containing special additives, please contact ELESA Sales Department.



STANDAARD MACHINE ELEMENTS WORLDWIDE

ELESA models all rights reserved in accordance with the law. Always mention the source when reproducing our drawings.