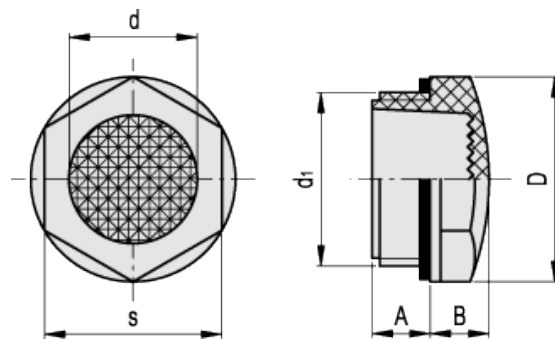


HFTX-PR

Prismatic oil level indicators



ELESA Original design



american unit
metric unit

Elesa Standards		Main dimensions						Tightening torque	Weight
Code	Description	d ₁	A	B	D	d	s	[ft·lb] [Nm]	lbs g
13652	HFTX.9/PR-1/4	- G 1/4	0.39 10	0.24 6	0.71 18	0.35 9	0.59 15	1÷2 2÷3	0.007 3
13672	HFTX.12/PR-3/8	- G 3/8	0.3 7.5	0.28 7	0.87 22	0.43 11	0.75 19	2÷4 3÷5	0.009 4
13692	HFTX.15/PR-1/2	- G 1/2	0.41 10.5	0.31 8	1.02 26	0.55 14	0.87 22	3÷4 4÷6	0.011 5
13722	HFTX.20/PR-3/4	- G 3/4	0.41 10.5	0.35 9	1.24 31.5	0.79 20	1.06 27	4÷6 6÷8	0.018 8
13742	HFTX.24/PR-1	- G 1	0.43 11	0.39 10	1.57 40	0.98 25	1.34 34	6÷7 8÷10	0.026 12

Material

Transparent polyamide based (PA-T) technopolymer. Resistant to solvents, oils with additives, greases, acids and alkali. Avoid contact with alcohol or detergents containing alcohol. The window consist of a continuous series of prisms which provide a clear and immediate reading of the level of the oil contained in the reservoir.

Flat packing ring
NBR synthetic rubber.

Maximum continuous working temperature
230°F (110°C).

Accessories on request
Brass nut type [GH](#), for fitting to reservoirs with wall thickness smaller than 0.20" (5 mm).

Technical data

The tightening torque indicated in the table guarantees an optimal tightness, keeping the packing ring in the correct position.

Note

For use with fluids containing special additives, please contact ELESa Sales Department.



STANDAARD MACHINE ELEMENTS WORLDWIDE