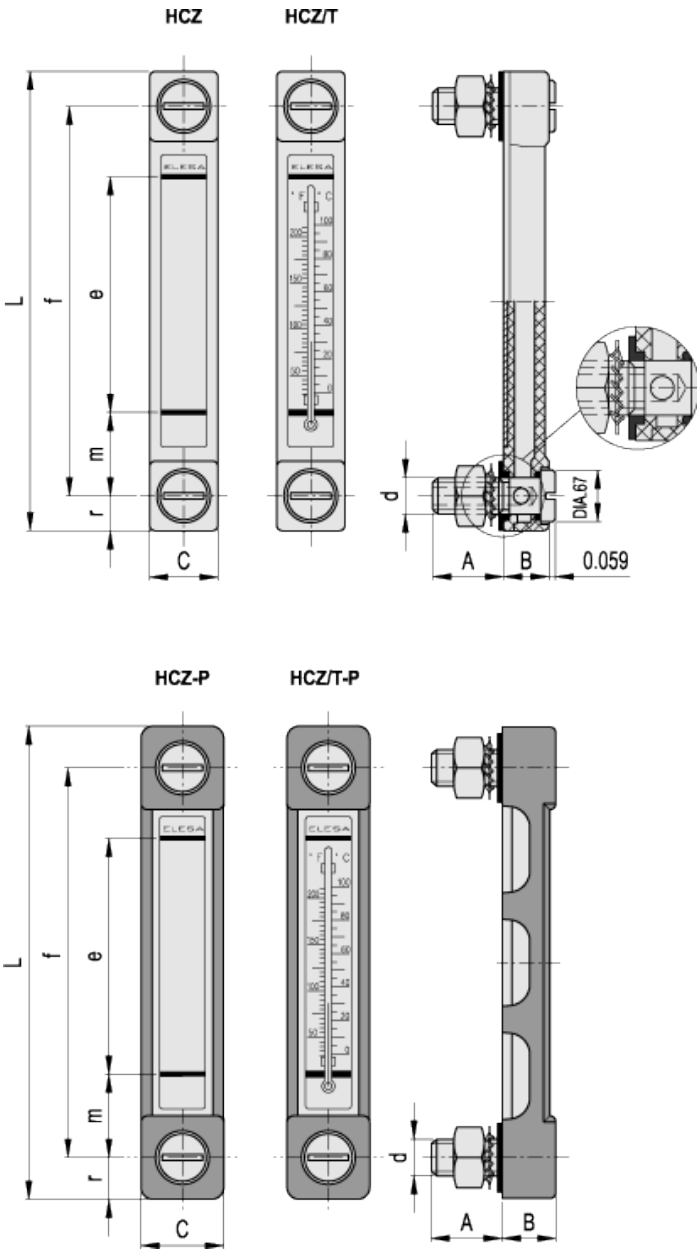


HCZ.

Column level indicators



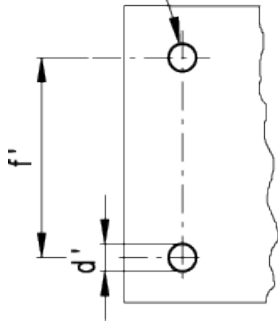
ELESA Original design



Drilling template

Holes without burrs and chamfer

american unit
metric unit



Elesa Standards		Main dimensions									Mounting holes		Thermometer scale		C #	Weight
Code	Description	f	d	A	B	C	L	e	m	r	d' _{-0.008}	f' _{±0.008}	°C	°F	[ft·lbf] [Nm]	lbs g
11382	HCZ.76	2.99 76	- M10	0.87 22	0.59 15	0.87 22	3.9 99	1.57 40	0.71 18	0.45 11.5	0.41 10.5	2.99 76	- -	- -	9 12	0.198 90
11383	HCZ.76/T	2.99 76	- M10	0.87 22	0.59 15	0.87 22	3.9 99	1.57 40	0.71 18	0.45 11.5	0.41 10.5	2.99 76	- 20±100	- 68±210	9 12	0.2 91
11385	HCZ.127	5 127	- M12	0.87 22	0.59 15	0.87 22	5.91 150	3.15 80	0.91 23	0.45 11.5	0.49 12.5	5 127	- -	- -	9 12	0.264 120
11386	HCZ.127/T	5 127	- M12	0.87 22	0.59 15	0.87 22	5.91 150	3.15 80	0.91 23	0.45 11.5	0.49 12.5	5 127	- 0+100	- 32±210	9 12	0.267 121
11392	HCZ.76-P	2.99 76	- M10	0.87 22	0.69 17.5	1.06 27	4.13 105	1.57 40	0.71 18	0.57 14.5	0.41 10.5	2.99 76	- -	- -	9 12	0.222 101
11393	HCZ.76/T-P	2.99 76	- M10	0.87 22	0.69 17.5	1.06 27	4.13 105	1.57 40	0.71 18	0.57 14.5	0.41 10.5	2.99 76	- 20±100	- 68±210	9 12	0.225 102
11395	HCZ.127-P	5 127	- M12	0.87 22	0.69 17.5	1.06 27	6.14 156	3.15 80	0.91 23	0.57 14.5	0.49 12.5	5 127	- -	- -	9 12	0.304 138
11396	HCZ.127/T-P	5 127	- M12	0.87 22	0.69 17.5	1.06 27	6.14 156	3.15 80	0.91 23	0.57 14.5	0.49 12.5	5 127	- 0+100	- 32±210	9 12	0.306 139

Maximum tightening torque.

Material

Transparent polyamide based (PA-T) technopolymer. Resistant to shocks, solvents, oils with additives, aliphatic and aromatic hydrocarbons, petrol, naphtha, phosphoric esters. Avoid contact with alcohol and detergents containing alcohol.

Screws and nuts

Zinc-plated steel.

Packing rings

NBR synthetic rubber.

Contrast screen

White lacquered aluminium. The housing, in the appropriate external rear slot, guarantees the best protection from direct contact with fluid, avoiding yellowing effect due to the prolonged action of the fluid at high temperatures.

It can be removed before installation to fit marks and words (for example MAX-MIN).

Thermometer

Incorporated thermometer for temperature reading.

Protection frame

Glass-fibre reinforced polyamide (PA) technopolymer, black colour, matte finish. Resistant to solvents, oils, greases and other chemical agents. Supplied assembled, removable by a screwdriver.

Standard executions

- HCZ: without thermometer and without protection frame.
- HCZ/T: with thermometer, without protection frame.
- HCZ-P: without thermometer, with protection frame.
- HCZ/T-P: with thermometer and protection frame.

Assembly

- When nuts can be fitted from the inside of the reservoir, by means of the supplied set screws and nuts.
 - When nuts cannot be fitted from the inside of the reservoir and the walls are thick enough, by means of the supplied set screws, without nuts, by tapping the two holes in the reservoir walls.
- To ensure the best sealing of the O-rings it is recommended to apply the maximum torque on the nuts as reported in the table and a roughness of the gasket application surface Ra = 3 µm.

Maximum continuous working temperature

190°F (90°C) (with oil).

Special executions on request (For sufficient quantities)

HCZ.127: with M10 screws and nuts.

Features and performances

The indicator is assembled using ultrasound welding to guarantee a perfect seal. Entirely in transparent material: maximum fluid level visibility even from side positions. Visibility and temperature reading magnified by lens effect.

The protection frame is designed to increase the resistance of the indicator by absorbing all shocks which are transmitted directly onto the wall of the reservoir. The frame is equipped with slots on each side that guarantee maximum fluid level visibility even from side positions. In laboratory breakage tests carried out in ELESA, the indicator with protection frame proved to withstand shocks.

Technical data

In laboratory tests carried out with mineral oil for hydraulic systems type CB68 (according to ISO 3498) with gradually increasing pressure, at 73°F (23°C), the weld stood up as follows:

- HCZ.76 18 bar
- HCZ.127 18 bar

In any case we suggest to verify the suitability of the product under the actual working conditions. If you need to use the indicator with other oils or fluids and under different pressure and temperature conditions, please contact ELESA Technical Department or carry out tests in order to guarantee a proper use.



ELESA models all rights reserved in accordance with the law. Always mention the source when reproducing our drawings.