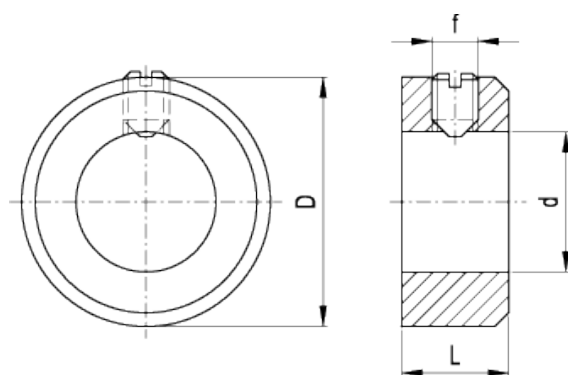


GN 705

Positioning rings (screw assembly)



american unit
metric unit

Elesa-Gantergriff				Main dimensions				Weight
Code	Description	Code	Description	d_{H8}	L_{js14}	D	f	lbs g
GN.30601	GN 705-5-A	GN.30602	GN 705-5-E	0.197 5	0.24 6	0.39 10	- M3x4	0.007 3
GN.30605	GN 705-6-A	GN.30606	GN 705-6-E	0.236 6	0.31 8	0.47 12	- M4x5	0.013 6
GN.30611	GN 705-7-A	GN.30612	GN 705-7-E	0.276 7	0.31 8	0.47 12	- M4x5	0.011 5
GN.30615	GN 705-8-A	GN.30616	GN 705-8-E	0.315 8	0.31 8	0.63 16	- M4x6	0.022 10
GN.30621	GN 705-9-A	GN.30622	GN 705-9-E	0.354 9	0.39 10	0.71 18	- M5x8	0.033 15
GN.30625	GN 705-10-A	GN.30626	GN 705-10-E	0.394 10	0.39 10	0.79 20	- M5x8	0.042 19
GN.30631	GN 705-11-A	GN.30632	GN 705-11-E	0.433 11	0.39 10	0.79 20	- M5x8	0.04 18
GN.30635	GN 705-12-A	GN.30636	GN 705-12-E	0.472 12	0.47 12	0.87 22	- M6x8	0.057 26
GN.30641	GN 705-13-A	GN.30642	GN 705-13-E	0.512 13	0.47 12	0.87 22	- M6x8	0.057 26
GN.30645	GN 705-14-A	GN.30646	GN 705-14-E	0.551 14	0.47 12	0.98 25	- M6x8	0.07 32

Elesa-Gantergriff				Main dimensions				Weight
Code	Description	Code	Description	d _{H8}	L _{js14}	D	f	lbs g
GN.30651	GN 705-15-A	GN.30652	GN 705-15-E	0.591 15	0.47 12	0.98 25	- M6x8	0.066 30
GN.30655	GN 705-16-A	GN.30656	GN 705-16-E	0.63 16	0.47 12	1.1 28	- M6x8	0.086 39
GN.30661	GN 705-18-A	GN.30662	GN 705-18-E	0.709 18	0.55 14	1.26 32	- M6x8	0.132 60
GN.30665	GN 705-20-A	GN.30666	GN 705-20-E	0.787 20	0.55 14	1.26 32	- M6x8	0.117 53
GN.30671	GN 705-22-A	GN.30672	GN 705-22-E	0.866 22	0.55 14	1.42 36	- M6x10	0.152 69
GN.30675	GN 705-24-A	GN.30676	GN 705-24-E	0.945 24	0.63 16	1.57 40	- M8x10	0.22 100
GN.30681	GN 705-25-A	GN.30682	GN 705-25-E	0.984 25	0.63 16	1.57 40	- M8x10	0.211 96
GN.30685	GN 705-26-A	GN.30686	GN 705-26-E	1.024 26	0.63 16	1.57 40	- M8x10	0.2 91
GN.30691	GN 705-28-A	GN.30692	GN 705-28-E	1.102 28	0.63 16	1.77 45	- M8x12	0.271 123
GN.30695	GN 705-30-A	GN.30696	GN 705-30-E	1.181 30	0.63 16	1.77 45	- M8x10	0.244 111
GN.30701	GN 705-32-A	GN.30702	GN 705-32-E	1.26 32	0.63 16	1.97 50	- M8x12	0.319 145
GN.30705	GN 705-34-A	GN.30706	GN 705-34-E	1.339 34	0.63 16	1.97 50	- M8x12	0.291 132
GN.30711	GN 705-35-A	GN.30712	GN 705-35-E	1.378 35	0.63 16	2.2 56	- M8x12	0.412 187
GN.30715	GN 705-36-A	GN.30716	GN 705-36-E	1.417 36	0.63 16	2.2 56	- M8x12	0.396 180
GN.30721	GN 705-38-A	GN.30722	GN 705-38-E	1.496 38	0.63 16	2.2 56	- M8x12	0.366 166
GN.30725	GN 705-40-A	GN.30726	GN 705-40-E	1.575 40	0.71 18	2.48 63	- M10x16	0.575 261

Material
Black-oxide steel.

Standard executions

- A: assembly with grub screw, screwdriver slotted head, ISO 7434 (DIN 553).
- E: assembly with grub screw, hexagon socket, ISO 4027 (DIN 914).



STANDARD MACHINE ELEMENTS WORLDWIDE