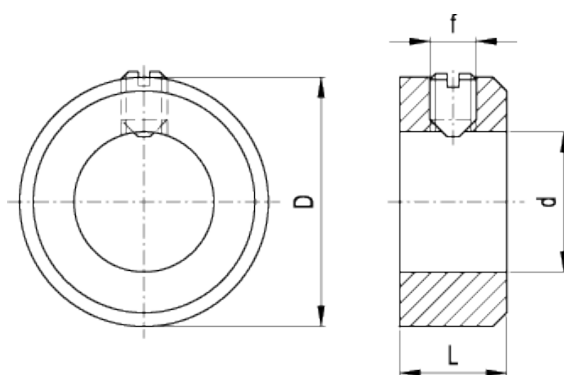


GN 705-NI

Positioning rings (screw assembly)



american unit
metric unit

Code	Description	d _{H8}	L _{js14}	D	f	lbs g
GN.30603	GN 705-5-A-NI	0.197 5	0.24 6	0.39 10	- M3x4	0.007 3
GN.30607	GN 705-6-A-NI	0.236 6	0.31 8	0.47 12	- M4x5	0.013 6
GN.30617	GN 705-8-A-NI	0.315 8	0.31 8	0.63 16	- M4x6	0.022 10
GN.30623	GN 705-9-A-NI	0.354 9	0.39 10	0.71 18	- M5x8	0.033 15
GN.30627	GN 705-10-A-NI	0.394 10	0.39 10	0.79 20	- M5x8	0.042 19
GN.30633	GN 705-11-A-NI	0.433 11	0.39 10	0.79 20	- M5x8	0.04 18
GN.30637	GN 705-12-A-NI	0.472 12	0.47 12	0.87 22	- M6x8	0.057 26
GN.30643	GN 705-13-A-NI	0.512 13	0.47 12	0.87 22	- M6x8	0.057 26
GN.30647	GN 705-14-A-NI	0.551 14	0.47 12	0.98 25	- M6x8	0.07 32
GN.30653	GN 705-15-A-NI	0.591 15	0.47 12	0.98 25	- M6x8	0.066 30
GN.30657	GN 705-16-A-NI	0.63 16	0.47 12	1.1 28	- M6x8	0.086 39

Code	Description	d _{H8}	L _{js14}	D	f	lbs g
GN.30663	GN 705-18-A-NI	0.709 18	0.55 14	1.26 32	- M6x8	0.132 60
GN.30667	GN 705-20-A-NI	0.787 20	0.55 14	1.26 32	- M6x8	0.117 53
GN.30673	GN 705-22-A-NI	0.866 22	0.55 14	1.42 36	- M6x10	0.152 69
GN.30677	GN 705-24-A-NI	0.945 24	0.63 16	1.57 40	- M8x10	0.22 100
GN.30683	GN 705-25-A-NI	0.984 25	0.63 16	1.57 40	- M8x10	0.211 96
GN.30687	GN 705-26-A-NI	1.024 26	0.63 16	1.57 40	- M8x10	0.2 91
GN.30693	GN 705-28-A-NI	1.102 28	0.63 16	1.77 45	- M8x12	0.271 123
GN.30697	GN 705-30-A-NI	1.181 30	0.63 16	1.77 45	- M8x10	0.244 111
GN.30703	GN 705-32-A-NI	1.26 32	0.63 16	1.97 50	- M8x12	0.319 145
GN.30707	GN 705-34-A-NI	1.339 34	0.63 16	1.97 50	- M8x12	0.291 132
GN.30713	GN 705-35-A-NI	1.378 35	0.63 16	2.2 56	- M8x12	0.412 187
GN.30717	GN 705-36-A-NI	1.417 36	0.63 16	2.2 56	- M8x12	0.396 180
GN.30723	GN 705-38-A-NI	1.496 38	0.63 16	2.2 56	- M8x12	0.366 166
GN.30727	GN 705-40-A-NI	1.575 40	0.71 18	2.48 63	- M10x16	0.575 261

Material

AISI 303 stainless steel.

Assembly

Stainless steel grub screw with screwdriver slotted head.

Features and applications

AISI 303 stainless steel, thanks to its high resistance to corrosion, allows the application of these rings on machines and equipment in those sectors where laws or particular hygienic, climatic and environmental factors make it mandatory to use corrosion resistant materials.