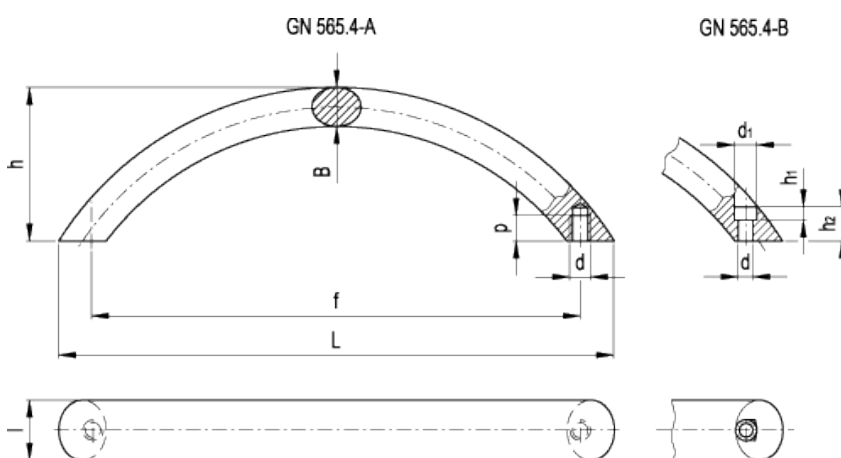


GN 565.4

Arch-shaped handle



american unit
metric unit

Elesa-Gantergriff		Main dimensions					Mounting holes				Weight	
Code	Description	L	f	h	B	l	d	p	d ₁	h ₁	h ₂	lbs g
GN.27407	GN 565.4-20-160-A-BL	7.28 185	6.3 160	2.01 51	0.51 13	0.79 20	- M6	0.33 8.5	- -	- -	- -	0.231 105
GN.27408	GN 565.4-20-160-A-EL	7.28 185	6.3 160	2.01 51	0.51 13	0.79 20	- M6	0.33 8.5	- -	- -	- -	0.231 105
GN.27409	GN 565.4-20-160-A-SW	7.28 185	6.3 160	2.01 51	0.51 13	0.79 20	- M6	0.33 8.5	- -	- -	- -	0.231 105
GN.27413	GN 565.4-20-192-A-BL	8.7 221	7.56 192	2.01 51	0.51 13	0.79 20	- M6	0.33 8.5	- -	- -	- -	0.275 125
GN.27414	GN 565.4-20-192-A-EL	8.7 221	7.56 192	2.01 51	0.51 13	0.79 20	- M6	0.33 8.5	- -	- -	- -	0.275 125
GN.27415	GN 565.4-20-192-A-SW	8.7 221	7.56 192	2.01 51	0.51 13	0.79 20	- M6	0.33 8.5	- -	- -	- -	0.275 125
GN.27419	GN 565.4-26-160-A-BL	7.48 190	6.3 160	2.24 57	0.67 17	1.02 26	- M8	0.47 12	- -	- -	- -	0.419 190
GN.27420	GN 565.4-26-160-A-EL	7.48 190	6.3 160	2.24 57	0.67 17	1.02 26	- M8	0.47 12	- -	- -	- -	0.419 190
GN.27421	GN 565.4-26-160-A-SW	7.48 190	6.3 160	2.24 57	0.67 17	1.02 26	- M8	0.47 12	- -	- -	- -	0.419 190

Elesa-Gantergriff		Main dimensions					Mounting holes					Weight
Code	Description	L	f	h	B	l	d	p	d ₁	h ₁	h ₂	lbs g
GN.27425	GN 565.4-26-192-A-BL	8.94 227	7.56 192	2.24 57	0.67 17	1.02 26	- M8	0.47 12	- -	- -	- -	0.474 215
GN.27426	GN 565.4-26-192-A-EL	8.94 227	7.56 192	2.24 57	0.67 17	1.02 26	- M8	0.47 12	- -	- -	- -	0.474 215
GN.27427	GN 565.4-26-192-A-SW	8.94 227	7.56 192	2.24 57	0.67 17	1.02 26	- M8	0.47 12	- -	- -	- -	0.474 215
GN.27410	GN 565.4-20-160-B-BL	7.28 185	6.3 160	2.01 51	0.51 13	0.79 20	0.21 5.3	- -	0.37 9.4	0.2 5	0.39 10	0.22 100
GN.27411	GN 565.4-20-160-B-EL	7.28 185	6.3 160	2.01 51	0.51 13	0.79 20	0.21 5.3	- -	0.37 9.4	0.2 5	0.39 10	0.22 100
GN.27412	GN 565.4-20-160-B-SW	7.28 185	6.3 160	2.01 51	0.51 13	0.79 20	0.21 5.3	- -	0.37 9.4	0.2 5	0.39 10	0.22 100
GN.27416	GN 565.4-20-192-B-BL	8.7 221	7.56 192	2.01 51	0.51 13	0.79 20	0.21 5.3	- -	0.37 9.4	0.2 5	0.39 10	0.264 120
GN.27417	GN 565.4-20-192-B-EL	8.7 221	7.56 192	2.01 51	0.51 13	0.79 20	0.21 5.3	- -	0.37 9.4	0.2 5	0.39 10	0.264 120
GN.27418	GN 565.4-20-192-B-SW	8.7 221	7.56 192	2.01 51	0.51 13	0.79 20	0.21 5.3	- -	0.37 9.4	0.2 5	0.39 10	0.264 120
GN.27422	GN 565.4-26-160-B-BL	7.48 190	6.3 160	2.24 57	0.67 17	1.02 26	0.25 6.4	- -	0.43 11	0.24 6	0.47 12	0.396 180
GN.27423	GN 565.4-26-160-B-EL	7.48 190	6.3 160	2.24 57	0.67 17	1.02 26	0.25 6.4	- -	0.43 11	0.24 6	0.47 12	0.396 180
GN.27424	GN 565.4-26-160-B-SW	7.48 190	6.3 160	2.24 57	0.67 17	1.02 26	0.25 6.4	- -	0.43 11	0.24 6	0.47 12	0.396 180
GN.27428	GN 565.4-26-192-B-BL	8.94 227	7.56 192	2.24 57	0.67 17	1.02 26	0.25 6.4	- -	0.43 11	0.24 6	0.47 12	0.452 205
GN.27429	GN 565.4-26-192-B-EL	8.94 227	7.56 192	2.24 57	0.67 17	1.02 26	0.25 6.4	- -	0.43 11	0.24 6	0.47 12	0.452 205
GN.27430	GN 565.4-26-192-B-SW	8.94 227	7.56 192	2.24 57	0.67 17	1.02 26	0.25 6.4	- -	0.43 11	0.24 6	0.47 12	0.452 205

Material

Aluminium. Round cross section bar.

- Execution BL: natural aluminium.
- Execution EL: anodised, natural colour, matte finish.
- Execution SW: RAL 9005 black colour, matte finish, epoxy resin coating.

Assembly

- Execution A: back mounting, tapped blind holes.
- Execution B: front mounting, through holes for cylindrical-head screws with hexagon socket.

Special executions on request (For sufficient quantities)

Different colours



STANDARD MACHINE ELEMENTS WORLDWIDE