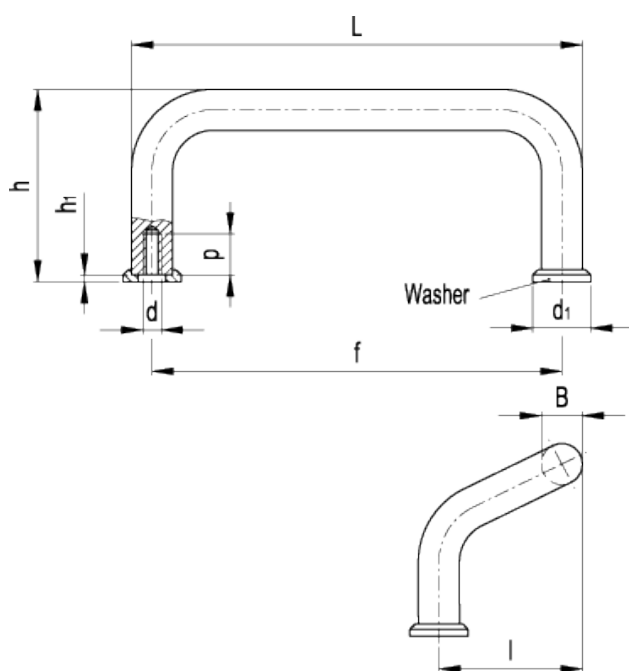


GN 425.1

Double-curved handles



american unit
metric unit

Elesa-Gantergriff		Main dimensions							Mounting holes		Weight
Code	Description	B	f _{±0.001}	L	h	h ₁	d ₁	l	d	p	lbs g
GN.26701	GN 425.1-10-88-CR	0.39 10	3.46 88	3.86 98	1.85 47	0.04 1	0.59 15	1.38 35	- M5	0.47 12	0.249 113
GN.26705	GN 425.1-10-100-CR	0.39 10	3.94 100	4.33 110	1.85 47	0.04 1	0.59 15	1.38 35	- M5	0.47 12	0.264 120
GN.26711	GN 425.1-10-120-CR	0.39 10	4.72 120	5.12 130	1.85 47	0.04 1	0.59 15	1.38 35	- M5	0.47 12	0.291 132

Material
Chrome-plated steel. Round cross section bar.

Assembly
Tapped blind holes.

Washers
Zinc-plated steel, supplied not assembled.

Special executions on request (For sufficient quantities)
Different lengths.



STANDAARD MACHINE ELEMENTS WORLDWIDE

ELESA-GANTER models all rights reserved in accordance with the law. Always mention the source when reproducing our drawings.