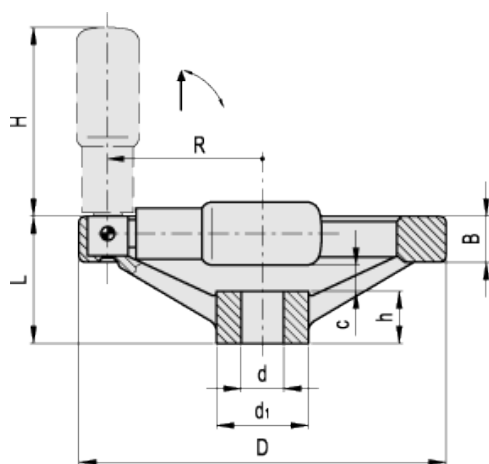


# GN 322.3

## Spoked handwheels with fold-away handle



INCH



american unit  
metric unit

Elesa-Gantergriff		Main dimensions					Bore		Handle			Weight
Code	Description	D	L	B	d <sub>1</sub>	c	d	h	H	Ø	R	lbs g
GN.926205	GN 322.3-125-B1/2-R	4.92 125	1.73 44	0.96 24.5	1.22 31	0.18 4.5	0.500 -	0.71 18	2.42 61.5	0.87 22	1.97 50	1.033 469
GN.926225	GN 322.3-160-B5/8-R	6.3 160	1.85 47	0.98 25	1.42 36	0.16 4	0.625 -	0.79 20	3.01 76.5	0.94 24	2.66 67.5	1.542 700
GN.926235	GN 322.3-200-B5/8-R	7.87 200	2.07 52.5	0.98 25	1.65 42	0.22 5.5	0.625 -	0.94 24	3.41 86.5	0.98 25	3.31 84	2.148 975
GN.926245	GN 322.3-250-B3/4-R	9.84 250	2.4 61	1.04 26.5	1.89 48	0.39 10	0.750 -	1.1 28	3.41 86.5	0.98 25	4.37 111	3.062 1390

### Material

Cast aluminium, fine sandblasted matte surface, turned and mirror-polished rim.

### Standard execution

Standard reamed hole.

Fold-away handle in polyamide based (PA) technopolymer, black colour, matte finish. Resistant to solvents, oils, greases and other chemical agents.

### Special executions on request

- GN 322.7 handwheels with automatic fold-away safety handle.
- Keyway in compliance with [ANSI B17.1-1967 tolerance](#).

### Other executions on request

Standard metric holes.

*Technical data*

Axial and radial runout lower than IT 12.

---



STANDAARD MACHINE ELEMENTS WORLDWIDE

ELESA-GANTER models all rights reserved in accordance with the law. Always mention the source when reproducing our drawings.