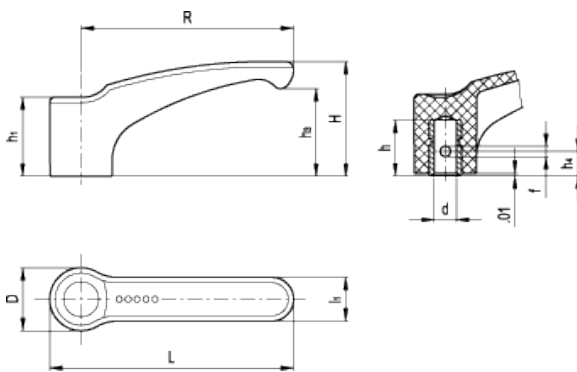


ERF.

Lever handles



ELESA Original design



american unit
metric unit

Elesa Standards		Main dimensions									Mounting hole		Weight
Code	Description	R	L	D	H	h ₁	h ₃	l ₁	h ₄	f	d _{H9}	h	lbs g
232111-C1	ERF.44 N-6-C1	1.73 44	2.05 52	0.61 15.5	1.04 26.5	0.75 19	0.75 19	0.43 11	0.28 7	0.12 3	0.236 6	0.59 15	0.011 5
232131-C1	ERF.63 N-8-C1	2.48 63	2.89 73.5	0.75 19	1.38 35	0.96 24.5	1.04 26.5	0.53 13.5	0.31 8	0.16 4	0.315 8	0.79 20	0.024 11
232151-C1	ERF.78 N-10-C1	3.07 78	3.56 90.5	0.91 23	1.65 42	1.16 29.5	1.26 32	0.63 16	0.35 9	0.16 4	0.394 10	0.98 25	0.068 31
232171-C1	ERF.95 N-12-C1	3.74 95	4.29 109	1.04 26.5	2.03 51.5	1.34 34	1.57 40	0.71 18	0.39 10	0.2 5	0.472 12	1.18 30	0.081 37

Material

Glass-fibre reinforced polyamide based (PA) technopolymer. Resistant to solvents, oils, greases and other chemical agents.

Colour

Grey-black, matte finish.

Assembly

Cylindrical blind hole, brass reinforcement and transversal semi-machined hole for pinning to shaft.

Ergonomy and design

The slightly arched shape of the lever and the ergonomic terminal enlargement give the operator a comfortable and safe grip and make the design of the handle more elegant.

The design of the lever body of this series is exactly like the design of ERX. adjustable levers, which has been awarded by the following juries for Industrial Design: Die Gute Industrieform Hannover 1995, Internationaler Designpreis des Landes Baden-Württemberg 1996/97.

ELESA models all rights reserved in accordance with the law. Always mention the source when reproducing our drawings.