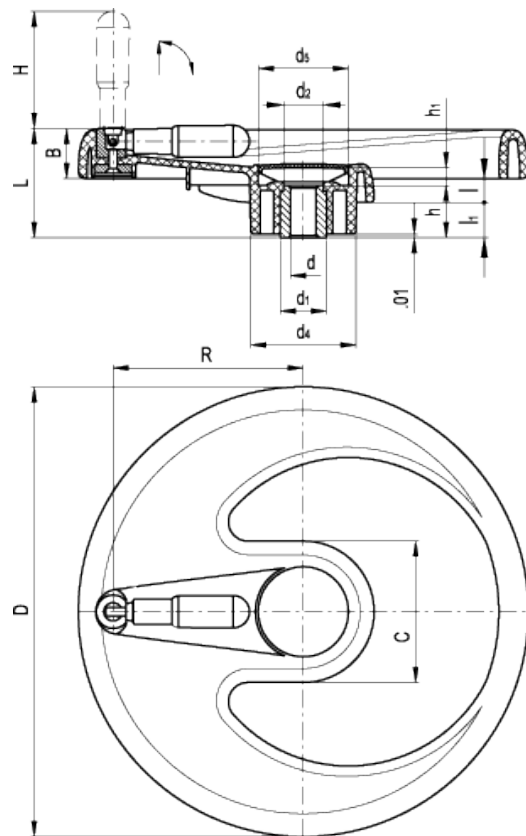


EMW+IR

Monospoke handwheel with fold-away handle



american unit metric unit **C1 RAL 7021** **C2 RAL 2004** **C3 RAL 7035** **C4 RAL 1021** **C5 RAL 5024** **C6 RAL 3000**

Elesa Standards		Main dimensions											Bore		Handle		C #	L #	Weight
Code	Description	D	L	B	I	I ₁	d ₁	d ₂	d ₄	d ₅	h ₁	C	d _{H7}	h	H	R	[ft·lb] [Nm]	[ft·lb] [J]	lbs g
204711-*	EMW.350+IR-A-20-*	13.78 350	3.23 82	1.5 38	0.75 19	0.98 25	1.38 35	1.3 33	3.23 82	2.76 70	0.55 14	4.33 110	0.787 20	1.5 38	3.54 90	5.83 148	280 380	10 14	2.731 1240

* Complete the code and the description of the standard item needed by adding the index of the colour of the cap (C1,.....,C6), ex: 204711-C2 EMW.350+IR-A-20-C2. To order the handwheel with keyway add the index -K ex: 204711-K-C2 EMW.350+IR-A-20-K-C2.# See [Technical Data](#) for maximum applicable torque (C) and impact strength (L).

Code	Description	Boss cap for
29451-*	ECB.I3-*	- EMW.350

* Complete the code and the description specifying the index of the colour (C1,.....,C6).

Material

Glass-fibre reinforced polypropylene based (PP) technopolymer. Resistant to solvents, oils, greases and other chemical agents.

Colour

Black, matte finish.

Assembly

- Black-oxide steel boss, H7 reamed hole.
 - Execution K: bosses with hole and keyway in compliance with [DIN 6885/1 P9 tolerance](#).
- To order the handwheel with keyway complete code and description with the index -K.

Boss cap

Polyester based technopolymer (PBT) in Ergostyle colours, glossy finish; supplied not assembled, press-fit mounting, removable by pressing on the outer edge (Elesa original design). Available also as accessory sold separately (see boss cap table).

Fold-away handle

Type [JR.620](#) polyamide based (PA) technopolymer, black colour, matte finish. The two-volume special design and the semi-spherical end provide the operator's hand with a safe and ergonomic grip during rotation of the handwheel.

Accessories on request

Axial retaining washer type [GN 184](#).

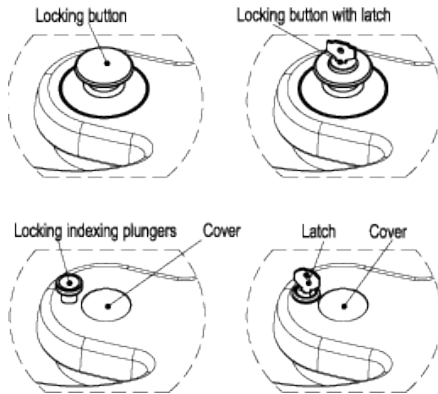
Special executions on request (For sufficient quantities)

Executions with locking device and latch (Elesa patent), see drawings.

Ergonomy and design

The light visual impact and the eccentric movement effect of EMW. monospoke handwheel offer a modern and innovative design. A high degree of flexibility and resilience guarantees maximum operator safety in case of accidental contact.

Executions with locking device and latch (Elesa patent)



STANDAARD MACHINE ELEMENTS WORLDWIDE