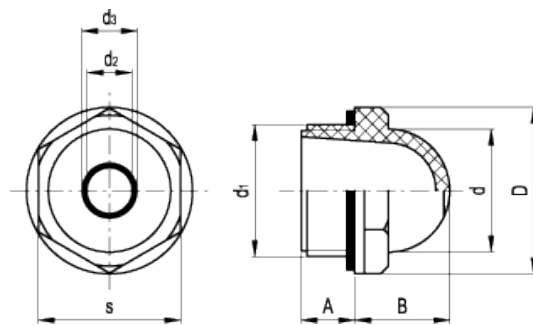


# HCFE-C

## Dome-shaped level indicators



ELESA Original design



american unit  
metric unit

Elesa Standards		Main dimensions								Tightening torque	Weight
Code	Description	d <sub>1</sub>	A	B	D	d	d <sub>2</sub>	d <sub>3</sub>	s	[ft·lb] [Nm]	lbs g
10906	HCFE.15/C-1/2	- G 1/2	0.41 10.5	0.63 16	1.02 26	0.75 19	0.24 6	0.28 7	0.87 22	3+4 4+6	0.011 5
11006	HCFE.20/C-3/4	- G 3/4	0.41 10.5	0.77 19.5	1.24 31.5	0.98 25	0.43 11	0.47 12	1.06 27	4+6 6+8	0.018 8
11106	HCFE.24/C-1	- G 1	0.43 11	0.94 24	1.65 42	1.22 31	0.55 14	0.59 15	1.42 36	6+7 8+10	0.04 18

### Material

Transparent polyamide based (PA-T) technopolymer. Resistant to solvents, oils with additives, greases, acids and alkali. Avoid contact with alcohol or detergents containing alcohol.

### Circle for oil level check

Tampoprinted, red colour. Resistant to oils with additives, greases, alkali and white spirit; resistant to abrasions under normal working conditions. Avoid contact with solvents, alcohol or detergents containing alcohol.

### Flat packing ring

NBR synthetic rubber.

### Maximum continuous working temperature

230°F (110°C).

### Accessories on request

Brass nut type [GH](#), for fitting to reservoirs with wall thickness smaller than 0.20 (5 mm).

### Technical data

An adequate tightening torque (see table below) is recommended when screwing the dome-shaped level indicator, so as to guarantee optimal tightness without any deformation of the packing ring. Suggested tightening torque is the result of laboratory tests at ambient temperature (73° F - 23°C) with indicator, packing ring and reservoir walls perfectly cleaned.

### Note

For use with fluids containing special additives, please contact ELESA Sales Department.

---



**STANDARD MACHINE ELEMENTS WORLDWIDE**

ELESA models all rights reserved in accordance with the law. Always mention the source when reproducing our drawings.