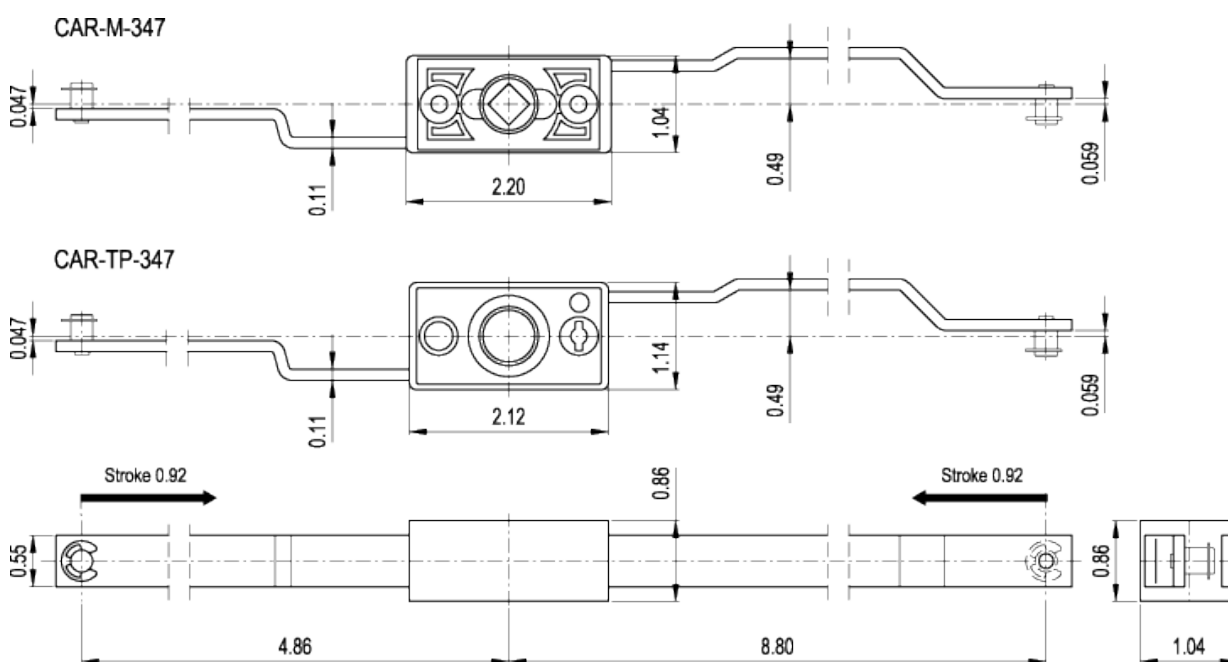


CAR.

Rod controls



american unit
metric unit

Elesa Standards		Weight
Code	Description	lbs g
420031	CAR-M-347	0.463 210
420032	CAR-TP-347	0.33 150

