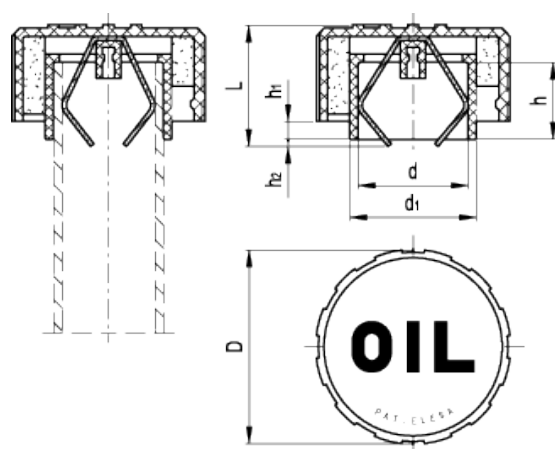


SFN-PF + F

Breather cap push-fit



ELESA Original design



american unit
metric unit

Elesa Standards		Main dimensions							Weight
Code	Description	d	h	D	L	d ₁	h ₁	h ₂	lbs g
54761	SFN.70-PF+F	1.56 39.5	1.08 27.5	2.76 70	1.69 43	1.79 45.5	0.1 2.5	0.26 6.5	0.148 67

Cover and threaded connector

Polyamide based (PA) technopolymer. Resistant to solvents, oils, greases and other chemical agents.

Colour

- Cover: RAL 2004 orange, semi-matte finish, marked "OIL".
- Threaded connector: black, semi-matte finish.

Assembly

Push-fit on pipes with max outside diameter DIA. = 1.53 (ø39 mm) and min inside diameter DIA. = 1.26 (ø32 mm).

Clip

Black-oxide steel.

Ring-shaped air filter

"Tech-foam" polyurethane foam mesh (polyester base), air filtration 40 µ.

Maximum continuous working temperature

210°F (100°C).

Special executions on request (For sufficient quantities)

- Cover, RAL 2004 orange, without "OIL" mark.
- Black cover with or without "OIL" mark.



STANDAARD MACHINE ELEMENTS WORLDWIDE

ELESA models all rights reserved in accordance with the law. Always mention the source when reproducing our drawings.