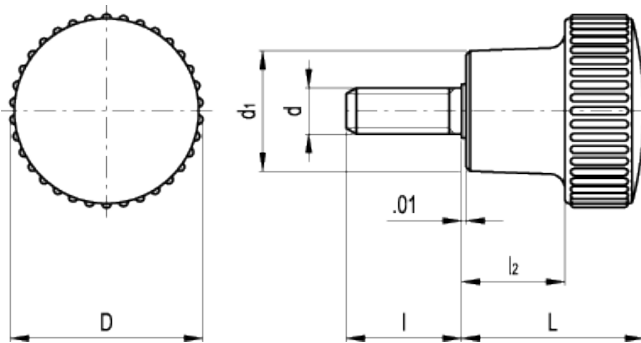


B.259 p

Knurled grip knobs



american unit
metric unit

Elesa Standards		Main dimensions				Threaded stud		Weight
Code	Description	D	L	d ₁	l ₂	d _{6g}	l	lbs g
3011	B.259/20 p-M6x16	0.83 21	0.98 25	0.51 13	0.47 12	- M6	0.63 16	0.029 13
3121	B.259/25 p-M8x20	1.02 26	1.1 28	0.63 16	0.59 15	- M8	0.79 20	0.055 25
3211	B.259/30 p-M8x25	1.22 31	1.26 32	0.75 19	0.67 17	- M8	0.98 25	0.084 38

Material

Phenolic based (PF) Duroplast. Resistant to solvents, oils, greases and other chemical agents.

Colour

Black, glossy finish.

Assembly

Zinc-plated steel threaded stud, chamfered flat end according to ISO 4753 (see [Technical Data](#)).



STANDARD MACHINE ELEMENTS WORLDWIDE

ELESA models all rights reserved in accordance with the law. Always mention the source when reproducing our drawings.