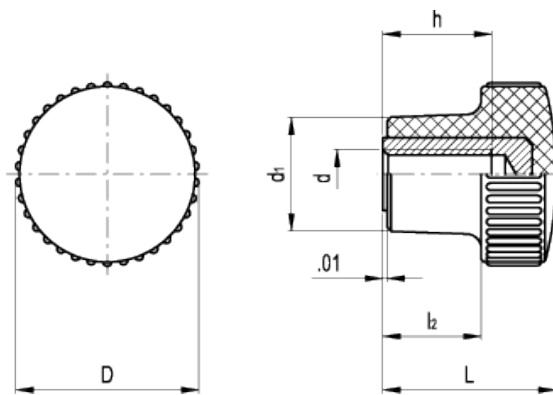


B.259

Knurled grip knobs

elesa



american unit
metric unit

Elesa Standards		Main dimensions				Mounting hole		Weight
Code	Description	D	L	d ₁	l ₂	d _{6H}	h	lbs g
3001	B.259/20 B-M5	0.83 21	0.98 25	0.51 13	0.47 12	- M5	0.63 16	0.026 12
3002	B.259/20 B-M6	0.83 21	0.98 25	0.51 13	0.47 12	- M6	0.63 16	0.024 11
3111	B.259/25 B-M6	1.02 26	1.1 28	0.63 16	0.59 15	- M6	0.63 16	0.04 18
3112	B.259/25 B-M8	1.02 26	1.1 28	0.63 16	0.59 15	- M8	0.79 20	0.042 19
3201	B.259/30 B-M6	1.22 31	1.26 32	0.75 19	0.67 17	- M6	0.63 16	0.055 25
3202	B.259/30 B-M8	1.22 31	1.26 32	0.75 19	0.67 17	- M8	0.79 20	0.062 28
3203	B.259/30 B-M10	1.22 31	1.26 32	0.75 19	0.67 17	- M10	0.67 17	0.064 29

Material

Phenolic based (PF) Duroplast. Resistant to solvents, oils, greases and other chemical agents.

Colour

Black, glossy finish.

Assembly

Brass boss, tapped blind hole.



ELESA models all rights reserved in accordance with the law. Always mention the source when reproducing our drawings.