

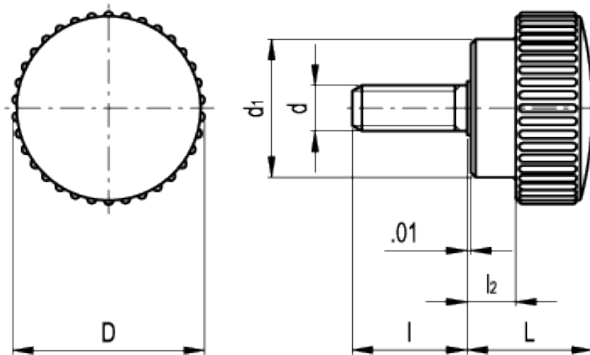
# B.193-SST-p

## Knurled grip knobs

**elasa**



**INOX**  
Stainless Steel



american unit  
metric unit

Elesa Standards		Main dimensions				Threaded stud		Weight
Code	Description	D	L	d <sub>1</sub>	l <sub>2</sub>	d <sub>6g</sub>	l	lbs g
102121	B.193/15-SST-p-M4x6	0.59 15	0.43 11	0.43 11	0.08 2	- M4	0.24 6	0.007 3
102122	B.193/15-SST-p-M4x10	0.59 15	0.43 11	0.43 11	0.08 2	- M4	0.39 10	0.009 4
102123	B.193/15-SST-p-M4x16	0.59 15	0.43 11	0.43 11	0.08 2	- M4	0.63 16	0.011 5
102321	B.193/20-SST-p-M6x10	0.87 22	0.55 14	0.59 15	0.16 4	- M6	0.39 10	0.02 9
102322	B.193/20-SST-p-M6x16	0.87 22	0.55 14	0.59 15	0.16 4	- M6	0.63 16	0.022 10
102421	B.193/25-SST-p-M6x16	1.02 26	0.75 19	0.71 18	0.24 6	- M6	0.63 16	0.031 14
102422	B.193/25-SST-p-M6x25	1.02 26	0.75 19	0.71 18	0.24 6	- M6	0.98 25	0.035 16

### Material

Phenolic based (PF) Duroplast. Resistant to solvents, oils, greases and other chemical agents.

### Colour

Black, glossy finish.

### Assembly

AISI 303 stainless steel threaded stud, chamfered flat end according to ISO 4753 (see [Technical Data](#)).

### Features and applications

AISI 303 stainless steel, thanks to its high resistance to corrosion, allows the application of these knobs on machines and equipment in those

sectors where laws or particular hygienic, climatic and environmental factors make it mandatory to use corrosion resistant materials.

---



---

STANDAARD MACHINE ELEMENTS WORLDWIDE