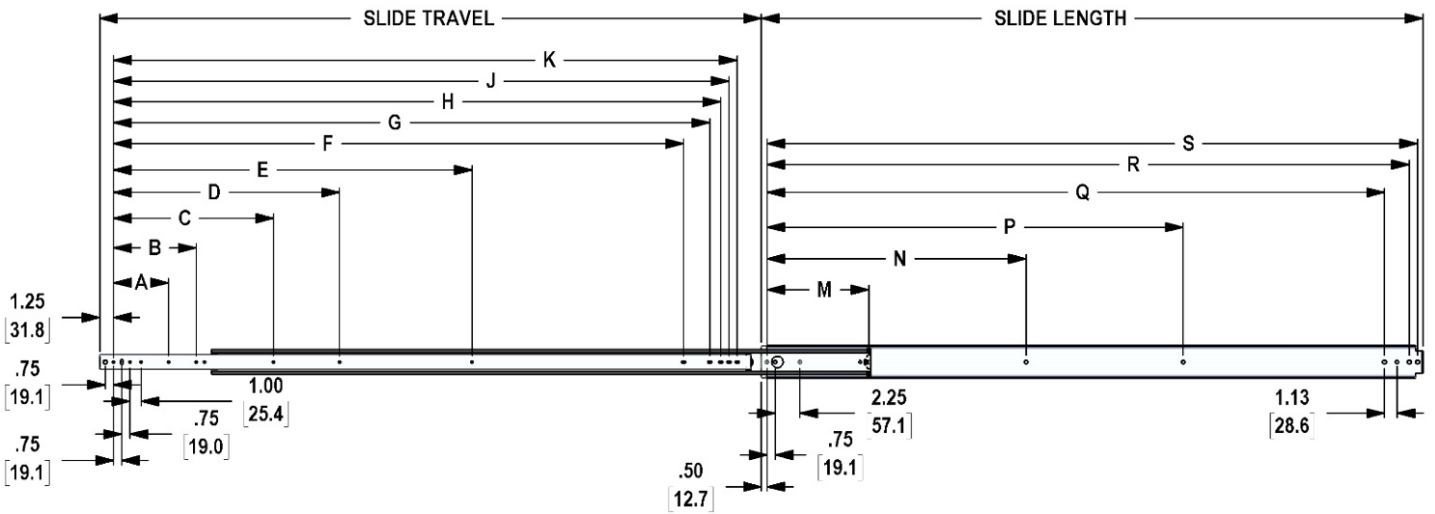


## 3300/3500/3600 SERIES INSTALLATION MANUAL



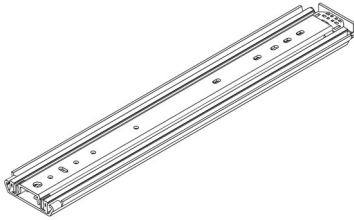
Inches / [mm]

PART NUMBER	SLIDE TRAVEL	SLIDE LENGTH	A	B	C	D	E	F	G	H	J	K	M	N	P	Q	R	S
I-DS-3300-8	8.00 [203.2]	8.00 [203.2]							2.06 [52.3]	3.06 [77.7]	3.81 [96.8]	4.56 [115.8]				4.00 [101.6]	6.25 [158.8]	7.00 [177.8]
I-DS-3300-10	10.00 [254.0]	10.00 [254.0]							4.06 [103.1]	5.06 [128.5]	5.81 [147.6]	6.56 [166.6]				6.00 [152.4]	8.25 [209.6]	9.00 [228.6]
I-DS-3300-12	12.00 [304.8]	12.00 [304.8]							6.06 [153.9]	7.06 [179.3]	7.81 [198.4]	8.56 [217.4]				8.00 [203.2]	10.25 [260.4]	11.00 [279.4]
I-DS-3300-14	14.00 [355.6]	14.00 [355.6]							8.06 [204.7]	9.06 [230.1]	9.81 [249.2]	10.56 [268.2]				10.00 [254.0]	12.25 [311.2]	13.00 [330.2]
I-DS-3300-16	16.00 [406.4]	16.00 [406.4]	5.00 [127.0]						10.06 [255.5]	11.06 [280.9]	11.81 [300.0]	12.56 [319.0]				12.00 [304.5]	14.25 [362.0]	15.00 [381.0]
I-DS-3300-18	18.00 [457.2]	18.00 [457.2]	5.00 [127.0]				9.69 [246.1]	12.06 [306.3]	13.06 [331.7]	13.81 [350.8]	14.56 [369.8]					14.00 [355.6]	16.25 [412.8]	17.00 [431.8]
I-DS-3300-20	20.00 [508.0]	20.00 [508.0]	5.00 [127.0]	7.50 [190.5]			11.69 [296.9]	14.06 [357.1]	15.06 [382.5]	15.81 [401.6]	16.56 [420.6]					16.00 [406.4]	18.25 [463.6]	19.00 [482.6]
I-DS-3300-22	22.00 [558.8]	22.00 [558.8]	5.00 [127.0]	7.50 [190.5]			13.69 [347.7]	16.06 [407.9]	17.06 [433.3]	17.81 [452.4]	18.56 [471.4]					18.00 [457.2]	20.25 [514.4]	21.00 [533.4]
I-DS-3300-24	24.00 [609.6]	24.00 [609.6]	5.00 [127.0]	7.50 [190.5]			15.69 [398.5]	18.06 [458.8]	19.06 [484.2]	19.81 [503.2]	20.56 [522.3]					20.00 [508.0]	22.25 [565.2]	23.00 [584.2]
I-DS-3300-26	26.00 [660.4]	26.00 [660.4]	5.00 [127.0]	7.50 [190.5]			17.69 [449.3]	20.06 [509.5]	21.06 [534.9]	21.81 [554.0]	22.56 [573.0]					22.00 [558.8]	24.25 [616.0]	25.00 [635.0]
I-DS-3300-28	28.00 [711.2]	28.00 [711.2]	5.00 [127.0]	7.50 [190.5]			19.69 [500.1]	22.06 [560.3]	23.06 [585.7]	23.81 [604.8]	24.56 [623.8]					24.00 [609.6]	26.25 [666.8]	27.00 [685.8]
I-DS-3300-30	30.00 [762.0]	30.00 [762.0]	5.00 [127.0]	7.50 [190.5]	14.50 [368.3]		21.69 [550.9]	24.06 [611.1]	25.06 [636.5]	25.81 [655.6]	26.56 [674.6]	9.25 [235.0]		19.75 [501.6]	26.00 [660.4]	28.25 [717.6]	29.00 [736.6]	
I-DS-3300-32	32.00 [812.8]	32.00 [812.8]	5.00 [127.0]	7.50 [190.5]	14.50 [368.3]		23.69 [601.7]	26.06 [661.9]	27.06 [687.3]	27.81 [706.4]	28.56 [725.4]	9.25 [235.0]	15.50 [293.7]	21.75 [552.5]	28.00 [711.2]	30.25 [768.4]	31.00 [787.4]	
I-DS-3300-34	34.00 [863.6]	34.00 [863.6]	5.00 [127.0]	7.50 [190.5]	14.50 [368.3]	18.50 [469.9]	25.69 [652.5]	28.06 [712.7]	29.06 [738.1]	29.81 [757.2]	30.56 [776.2]	9.25 [235.0]	16.50 [419.1]	23.75 [603.3]	30.00 [762.0]	32.25 [819.2]	33.00 [838.2]	
I-DS-3300-36	36.00 [914.4]	36.00 [914.4]	5.00 [127.0]	7.50 [190.5]	14.50 [368.3]	20.50 [520.7]	27.69 [703.3]	30.06 [763.5]	31.06 [788.9]	31.81 [808.0]	32.56 [827.0]	9.25 [235.0]	17.50 [444.5]	25.75 [654.1]	32.00 [812.8]	34.25 [870.0]	35.00 [889.0]	
I-DS-3300-38	38.00 [965.5]	38.00 [965.2]	5.00 [127.0]	7.50 [190.5]	14.50 [368.3]	20.50 [520.7]	29.69 [754.1]	32.06 [814.3]	33.06 [839.7]	33.81 [858.8]	34.56 [877.8]	9.25 [235.0]	18.50 [469.9]	27.75 [704.9]	34.00 [863.6]	36.25 [920.8]	37.00 [939.8]	
I-DS-3300-40	40.00 [1016.0]	40.00 [1016.0]	5.00 [127.0]	7.50 [190.5]	14.50 [368.3]	20.50 [520.7]	31.69 [804.9]	34.06 [865.1]	35.06 [890.5]	35.81 [909.6]	36.56 [928.6]	9.25 [235.0]	19.50 [495.3]	29.75 [755.7]	36.00 [914.4]	38.25 [971.6]	39.00 [990.6]	
I-DS-3300-42	42.00 [1066.8]	42.00 [1066.8]	5.00 [127.0]	7.50 [190.5]	14.50 [368.3]	20.50 [520.7]	28.50 [723.9]	33.69 [855.7]	36.06 [915.9]	37.06 [941.3]	37.81 [960.4]	9.25 [235.0]	21.50 [546.1]	31.75 [806.5]	38.00 [965.2]	40.25 [1022.4]	41.00 [1041.4]	
I-DS-3300-48	48.00 [1219.2]	48.00 [1219.2]	5.00 [127.0]	7.50 [190.5]	14.50 [368.3]	20.50 [520.7]	32.50 [825.5]	39.69 [1008.1]	42.06 [1068.3]	43.06 [1093.7]	43.81 [1112.8]	44.56 [1131.8]	9.25 [235.0]	23.50 [596.9]	37.75 [958.8]	44.00 [1117.6]	46.25 [1174.8]	47.00 [1193.8]
I-DS-3300-54	54.00 [1371.6]	54.00 [1371.6]	5.00 [127.0]	7.50 [190.5]	14.50 [368.3]	20.50 [520.7]	32.50 [825.5]	45.69 [1160.5]	48.06 [1220.7]	49.06 [1246.1]	49.81 [1265.2]	50.56 [1284.2]	9.25 [235.0]	23.50 [596.9]	37.75 [958.8]	50.00 [1270.0]	52.25 [1327.2]	53.00 [1346.2]
I-DS-3300-60	60.00 [1524.0]	60.00 [1524.0]	5.00 [127.0]	7.50 [190.5]	14.50 [368.3]	20.50 [520.7]	32.50 [825.5]	51.69 [1312.9]	54.06 [1373.1]	55.06 [1398.5]	55.81 [1417.6]	56.56 [1436.6]	9.25 [235.0]	23.50 [596.9]	37.75 [958.8]	56.00 [1422.4]	58.25 [1479.6]	59.00 [1498.6]

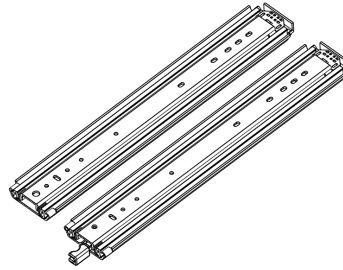
# RYADON INC.

QUALITY - INTEGRITY - VALUE

Industrial and Specialty Hardware



**3300 Non-Locking**



**3500 One-Side Locking**  
**One-side –Non-Locking**



**3600 lock-In**  
**Lock-out**

**3300 lengths** - 8, 10, 12, 14, 16, 18, 20, 22, 24, 26, 28, 30, 32, 34, 36, 38, 40, 42, 48, 54 & 60

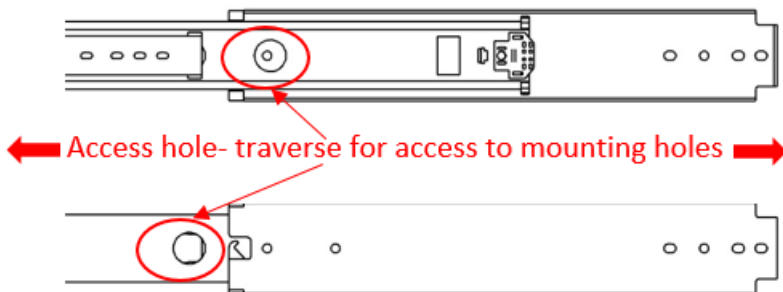
**3500-3600 LENGTHS** - 12, 14, 16, 18, 20, 22, 24, 26, 28, 30, 32, 34, 36, 48, 54 & 60

**Side Mounting-cabinet (outer) member** (mounting hardware not included)

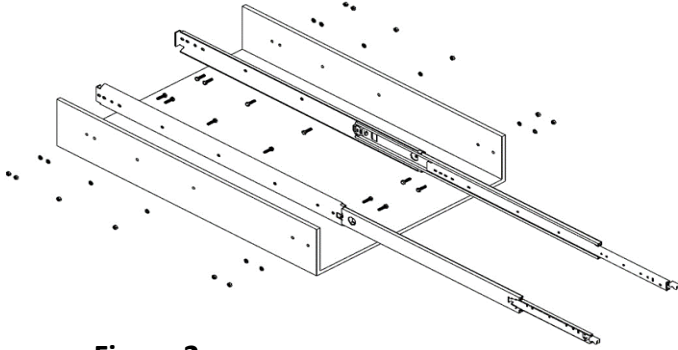
**Please note: Heavy duty slides DO NOT disconnect.**

1. Install cabinet member (large outer member) firstly for best access to mounting holes.
2. Side space  $.75 +0.031/-0.000$  (19.1mm  $+ .79/- .00$ ).
3. Note the fastener access holes (**Figure 1**) which allows access to all mounting holes in the inner and outer member.

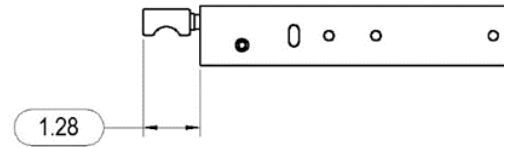
**Figure 1**



4. Mark the centerline and mounting holes as needed making sure slides are parallel, and level.
5. Top and bottom of drawer or pull-out-shelf must have 1/8" minimum clearance for travel.
6. Extend the slides to full extension to install cabinet member.
7. Install fasteners **head height not to exceed 0.190"** (1/4" hex head, pan head, or button head machine screws recommended for thru mounting, 1/4" Lag bolts, or #14 pan head tapping screws for wood/metal surface mounting. (**Figure 2**))

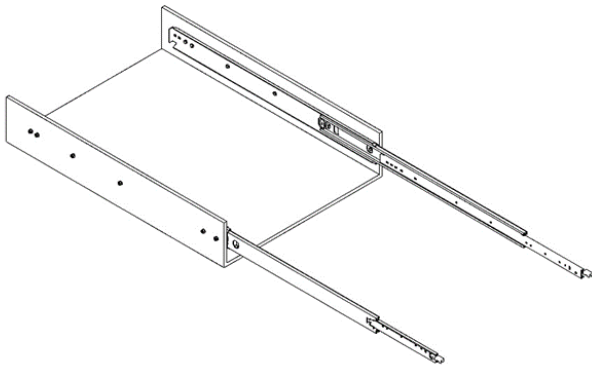


**Figure 2**

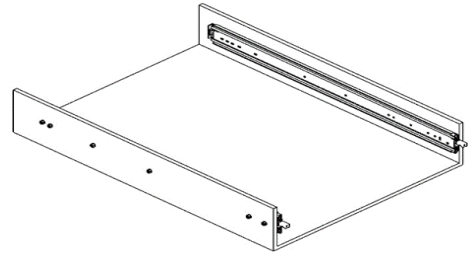


**RECOMMENDED LEVER CLEARANCE FOR  
RECESSED OR ENCLOSED ASSEMBLY 1.50"  
FOR LOCK IN LOCK OUT 3500-3600 SERIES  
SLIDES**

8. Check slide travel to make sure all members travel freely. **(Figure 3)**



**Figure 3**

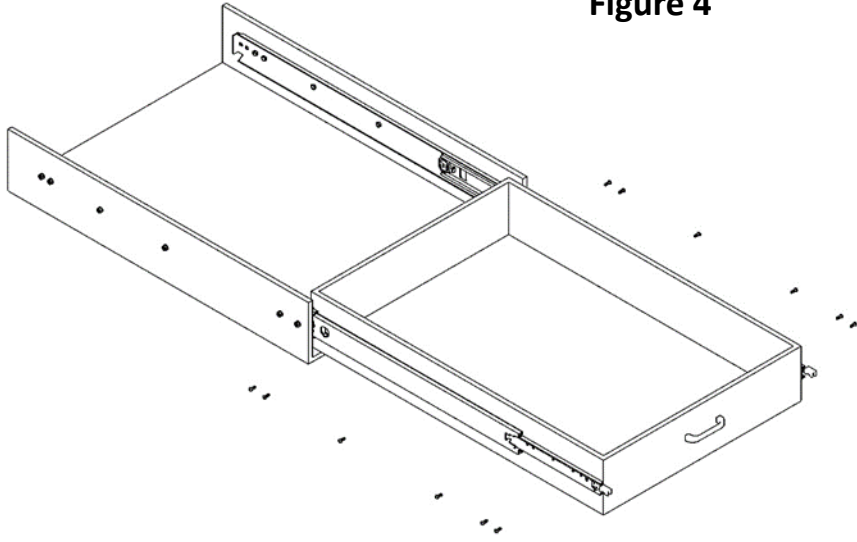


**Side mounting-drawer (inner) member** (mounting hardware not included)

1. Extend the slides full extension.
2. Align and nest drawer or pull-out-shelf on the inner member, mark the centerline and mounting holes as needed making sure slides are parallel, and level.
3. Install fasteners **head height not to exceed 0.130"** (10-24 or 10-32 hex head, pan head, or button head machine screws recommended for thru mounting, #10 pan head tapping screws recommended for surface mounting wood/metal).

**(Figure 4)**

**Figure 4**



4. Check slide travel to make sure all members travel freely. **(Figure 5)**

**Figure 5**

